



DRAGATEC[®]
Technology that Drives the Flow.

**SUBMERSIBLE PUMP
FOR DEEP-WELL
SERIES**



DRAGATEC[®]
Technology that Drives the Flow.

Dragatec Pumps specializes in the design and manufacturing of robust, high-performance industrial pumps. The brand offers reliable fluid transfer solutions tailored to industrial, agricultural, and hydraulic applications.

 www.dragatec.com

DISTRIBUTOR

ECO-AGRI

53 A Lot. Guichard, Route De L'hopital

Ait Melloul

+212 5 28 24 68 70

www.eco-agri.ma

+212 661 34 53 88

+212 664 15 60 50

+212 672 13 04 41

4SD/4SE/4SB/4SA

Applications

For water supply from wells or reservoirs
For domestic use, for civil and industrial applications
For garden use and irrigation

Operating conditions

Maximum fluid temperature up to +35°C
Maximum sand content: 0.25%
Minimum well diameter: 4"

Motor and Pump

Rewindable motor
Single-phase: 220 - 240V/50Hz
Three-phase: 380 - 415V/50Hz
Equip with start control box or digital auto-control box
Pumps are designed by casing stressed
NEMA dimension standards
Curve tolerance according to ISO 9906

Options on request

Special mechanical seal
Other voltages or frequency 60Hz
Single phase motor with built-in capacitor

Warranty: 2 years

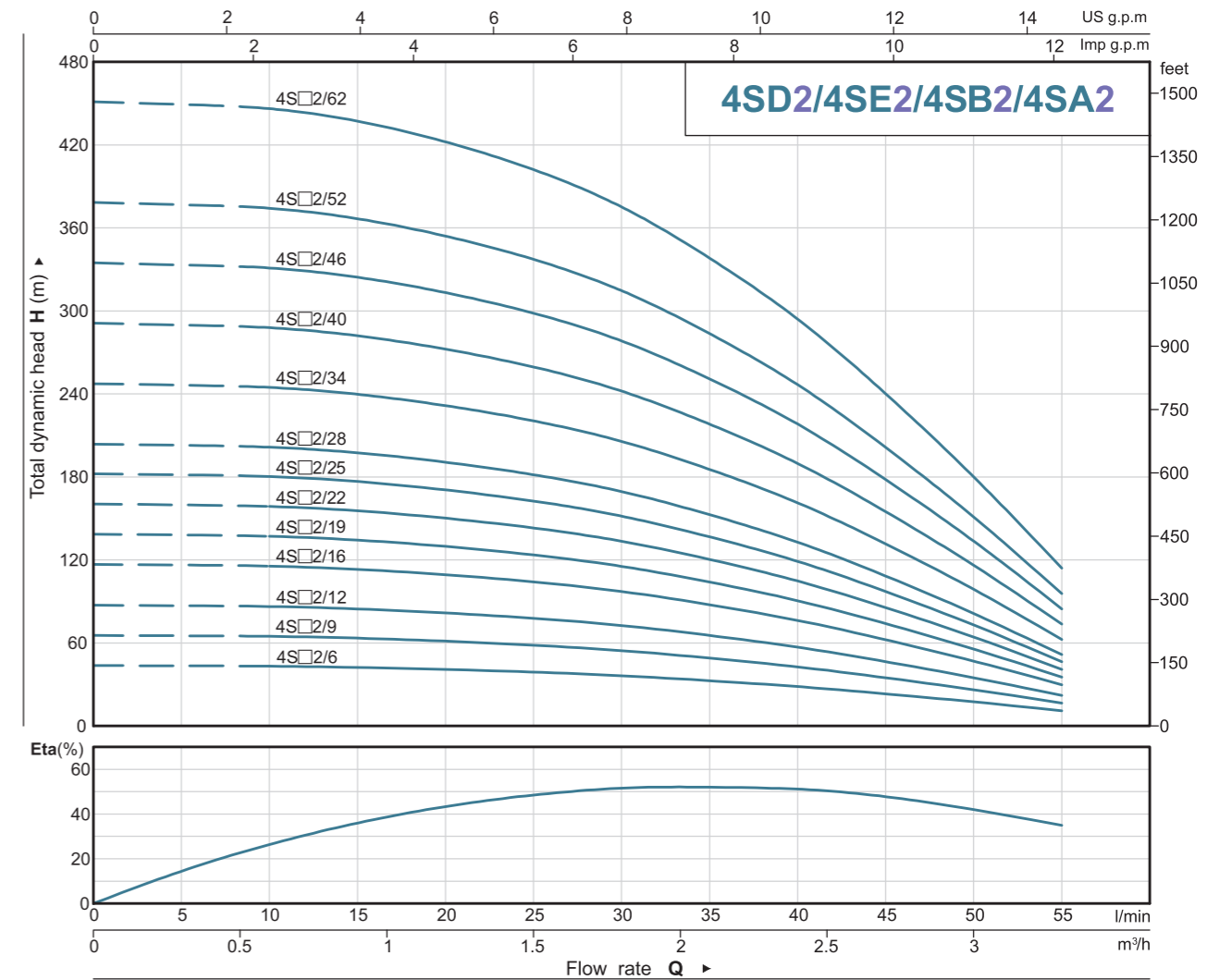
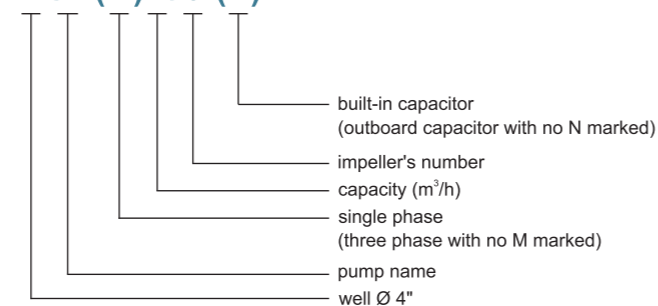
(according to our general sales conditions)



4SD 4SE 4SB 4SA

Components	Material
Pump external casing	AISI 304 SS
Delivery casing	①Cast-Cu ASTM C85500 ②AISI 304 SS
Suction lantern	①Cast-Cu ASTM C85500 ②AISI 304 SS
Diffuser	Plastic.PC
Impeller	①Plastic.POM ②Plastic.PPO
Shaft	AISI 304 SS
Shaft coupling	AISI 304 SS
Wear ring	AISI 304 SS
Motor external casing	AISI 304 SS
Top chock	①Cast-Cu ASTM C85500 ②AISI 304 SS ③Cast-iron ASTM NO.30
Bottom support	AISI 304 SS
Mechanical seal	Special seal for deep well(Graphite-Ceramic)
Shaft	AISI 304 SS-ASTM 5140
Seal lubricant oil	Oil for food machinery and pharmaceutic use.

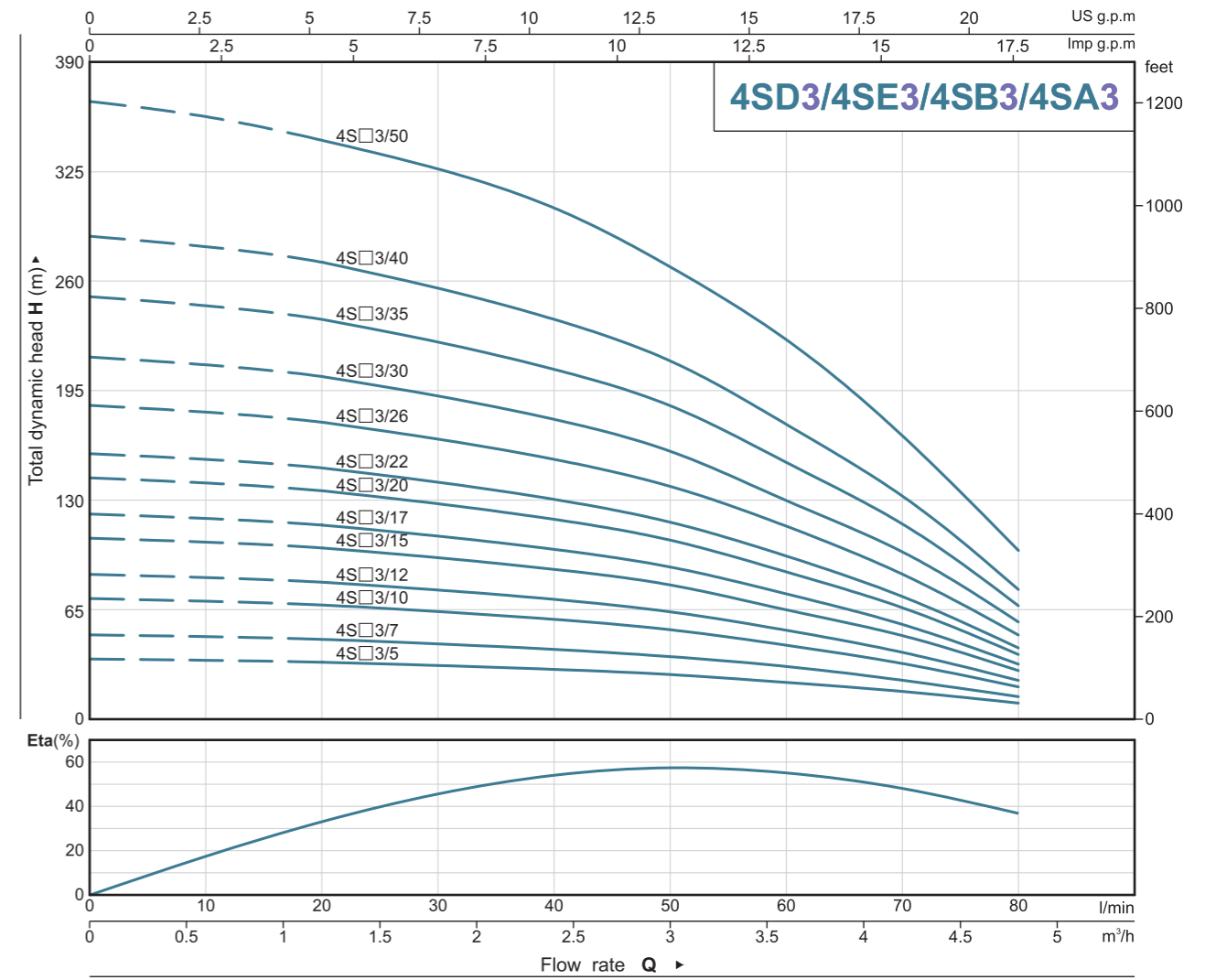
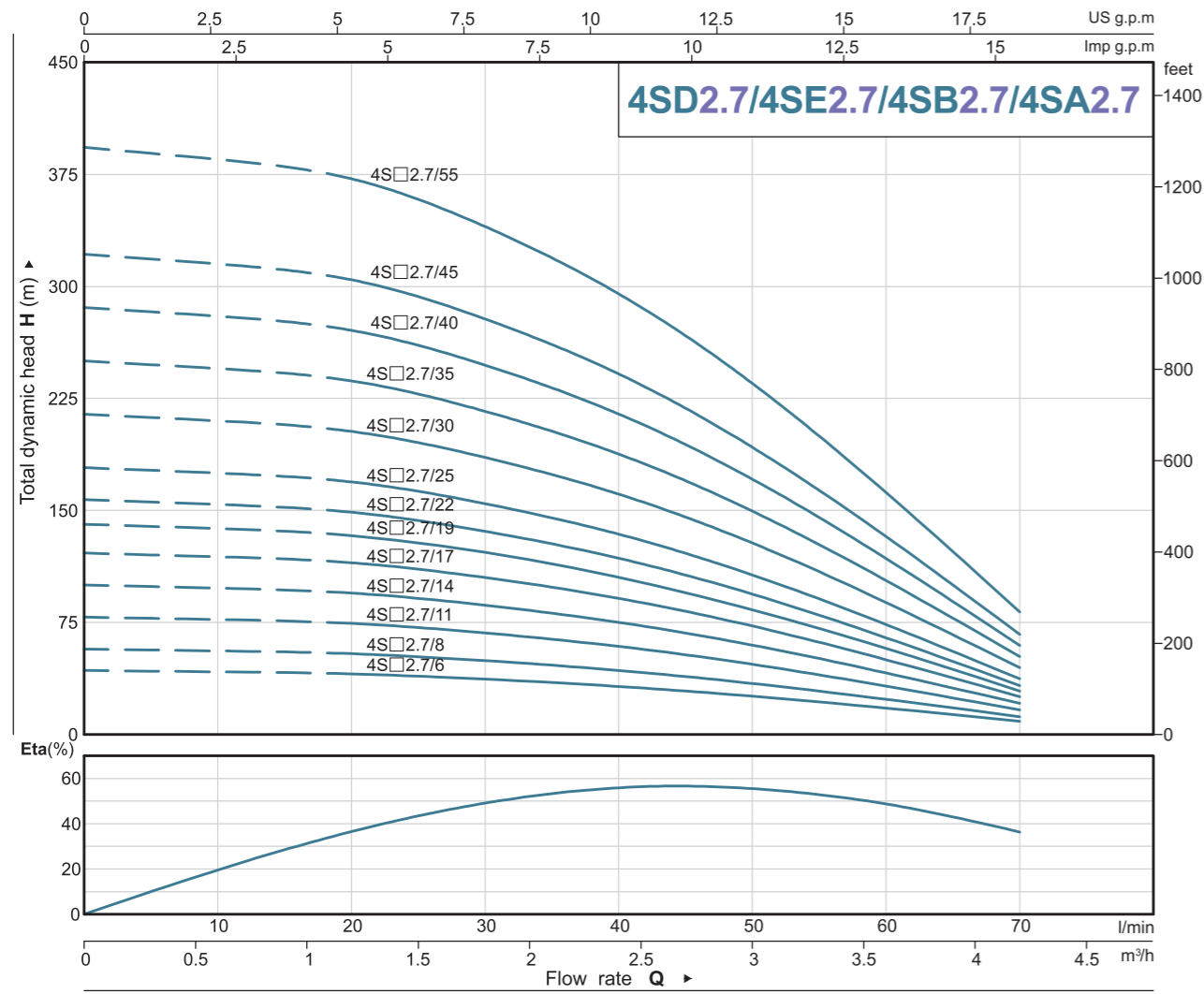
4 SD (M) 2/6 (N)



PERFORMANCE DATA 50Hz

MODEL		P ₂		DELIVERY n≈2850 1/min														
1~ 220 - 240V	3~ 380 - 415V	kW	HP	Q	m³/h													
				l/min	0	0.3	0.6	0.9	1.2	1.5	1.8	2.1	2.4	2.7	3.0	3.3		
					0	5	10	15	20	25	30	35	40	45	50	55		
4S□M2/6	-	0.25	0.33	H(m)	44	43	43	42	41	39	36	33	28	23	17	11		
4S□M2/9	-	0.37	0.5		65	65	65	63	61	58	54	49	43	35	26	17		
4S□M2/12	4S□2/12	0.55	0.75		87	87	86	85	82	78	73	65	57	46	35	22		
4S□M2/16	4S□2/16	0.75	1		116	116	115	113	109	104	97	87	76	62	46	29		
4S□M2/19	-	0.92	1.25		138	138	137	134	129	123	115	104	90	74	55	35		
4S□M2/22	4S□2/22	1.1	1.5		160	159	158	155	150	143	133	120	104	85	64	40		
4S□M2/25	-	1.3	1.75		182	181	180	176	170	162	151	136	119	97	73	46		
4S□M2/28	4S□2/28	1.5	2		204	203	201	197	191	182	169	153	133	108	81	51		
4S□M2/34	-	1.8	2.5		247	246	245	240	231	220	206	185	161	132	99	63		
4S□M2/40	4S□2/40	2.2	3		291	290	288	282	272	259	242	218	190	155	116	74		
4S□M2/46	4S□2/46	2.6	3.5		335	333	331	324	313	298	278	251	218	178	134	85		
4S□M2/52	4S□2/52	3	4		378	377	374	367	354	337	315	283	247	201	151	96		
-	4S□2/62	4	5.5		451	449	446	437	422	402	375	338	294	240	180	114		

• 4S□ in the above table can be replaced by any of 4SD, 4SE, 4SB, 4SA



PERFORMANCE DATA 50Hz

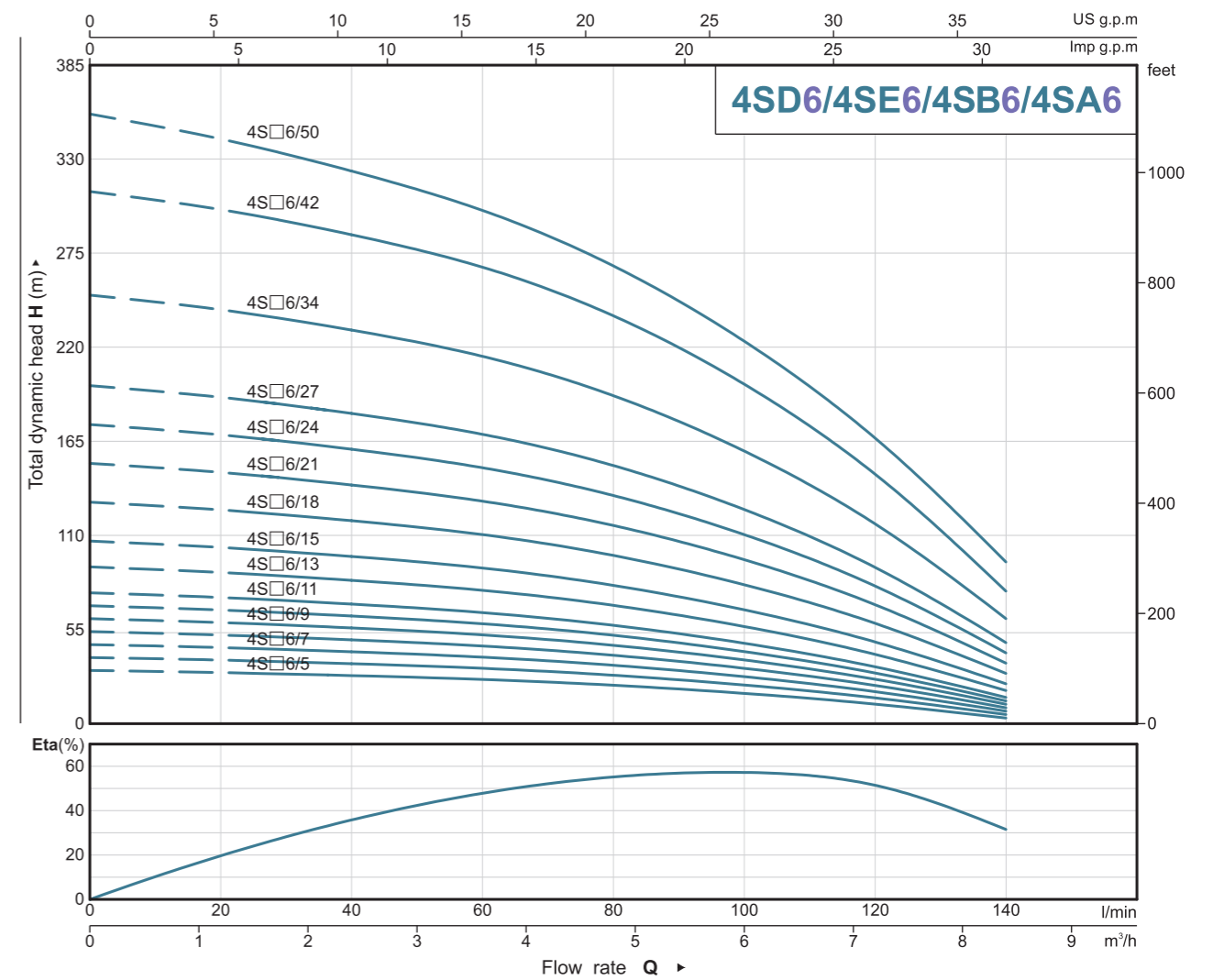
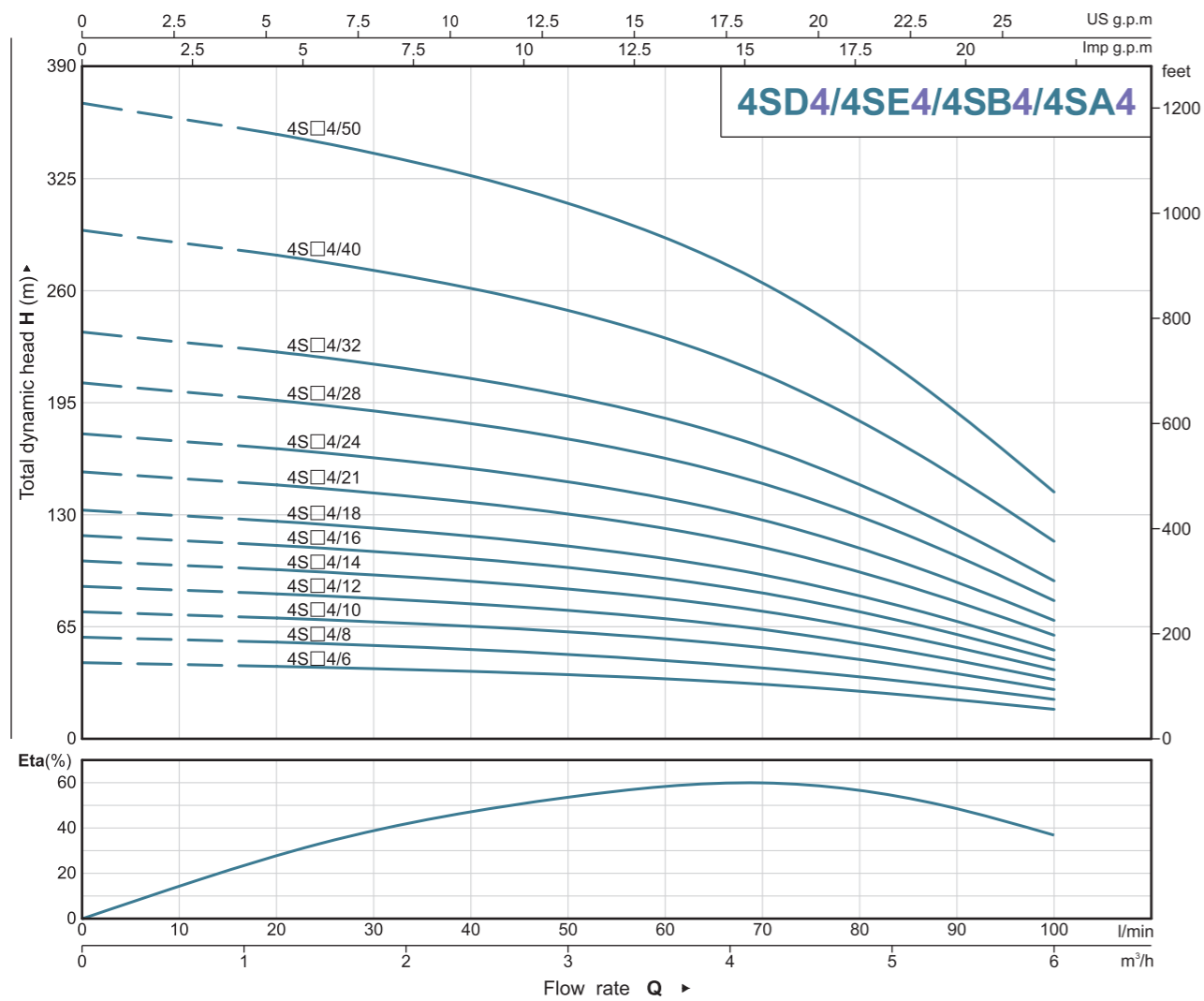
MODEL		P ₂		Q	DELIVERY							
1~ 220 - 240V	3~ 380 - 415V	kW	HP		n≈2850 1/min							
					0	0.6	1.2	1.8	2.4	3.0	3.6	4.2
				0	10	20	30	40	50	60	70	
4S□M2.7/6	-	0.25	0.33	H(m)	43	42	41	37	32	26	18	9
4S□M2.7/8	-	0.37	0.5		57	56	54	49	43	34	24	12
4S□M2.7/11	4S□2.7/11	0.55	0.75		79	77	74	68	59	47	32	16
4S□M2.7/14	4S□2.7/14	0.75	1		100	98	95	87	75	60	41	21
4S□M2.7/17	-	0.92	1.25		121	119	115	105	91	73	50	25
4S□M2.7/19	4S□2.7/19	1.1	1.5		136	133	129	117	102	81	56	28
4S□M2.7/22	-	1.3	1.75		157	154	149	136	118	94	65	33
4S□M2.7/25	4S□2.7/25	1.5	2		179	175	169	155	134	107	74	37
4S□M2.7/30	-	1.8	2.5		214	210	203	185	161	128	88	45
4S□M2.7/35	4S□2.7/35	2.2	3		250	245	237	216	188	150	103	52
4S□M2.7/40	4S□2.7/40	2.6	3.5		286	280	271	247	215	171	118	60
4S□M2.7/45	4S□2.7/45	3	4		322	315	304	278	241	192	133	67
-	4S□2.7/55	4	5.5		393	385	372	340	295	235	162	82

• 4S□ in the above table can be replaced by any of 4SD, 4SE, 4SB, 4SA

PERFORMANCE DATA 50Hz

MODEL		P ₂		Q	DELIVERY									
1~ 220 - 240V	3~ 380 - 415V	kW	HP		n≈2850 1/min									
					0	0.6	1.2	1.8	2.4	3.0	3.6	4.2	4.8	
				0	10	20	30	40	50	60	70	80		
4S□M3/5	-	0.25	0.33	H(m)	36	35	34	32	30	27	22	17	10	
4S□M3/7	-	0.37	0.5		50	49	47	45	41	37	30	23	13	
4S□M3/10	4S□3/10	0.55	0.75		72	70	68	64	59	53	43	33	19	
4S□M3/12	4S□3/12	0.75	1		86	84	81	77	71	64	52	40	23	
4S□M3/15	-	0.92	1.25		108	105	102	96	89	80	65	50	29	
4S□M3/17	4S□3/17	1.1	1.5		122	119	115	109	101	90	73	56	33	
4S□M3/20	-	1.3	1.75		144	140	135	128	118	106	86	66	38	
4S□M3/22	4S□3/22	1.5	2		158	154	149	141	130	117	95	73	42	
4S□M3/26	-	1.8	2.5		187	182	176	166	154	138	112	86	50	
4S□M3/30	4S□3/30	2.2	3		215	210	203	192	178	159	129	99	58	
4S□M3/35	4S□3/35	2.6	3.5		251	245	237	224	207	186	151	116	67	
4S□M3/40	4S□3/40	3	4		287	280	271	255	237	212	172	132	77	
-	4S□3/50	4	5.5		358	350	338	319	296	265	215	165	96	

• 4S□ in the above table can be replaced by any of 4SD, 4SE, 4SB, 4SA



PERFORMANCE DATA 50Hz

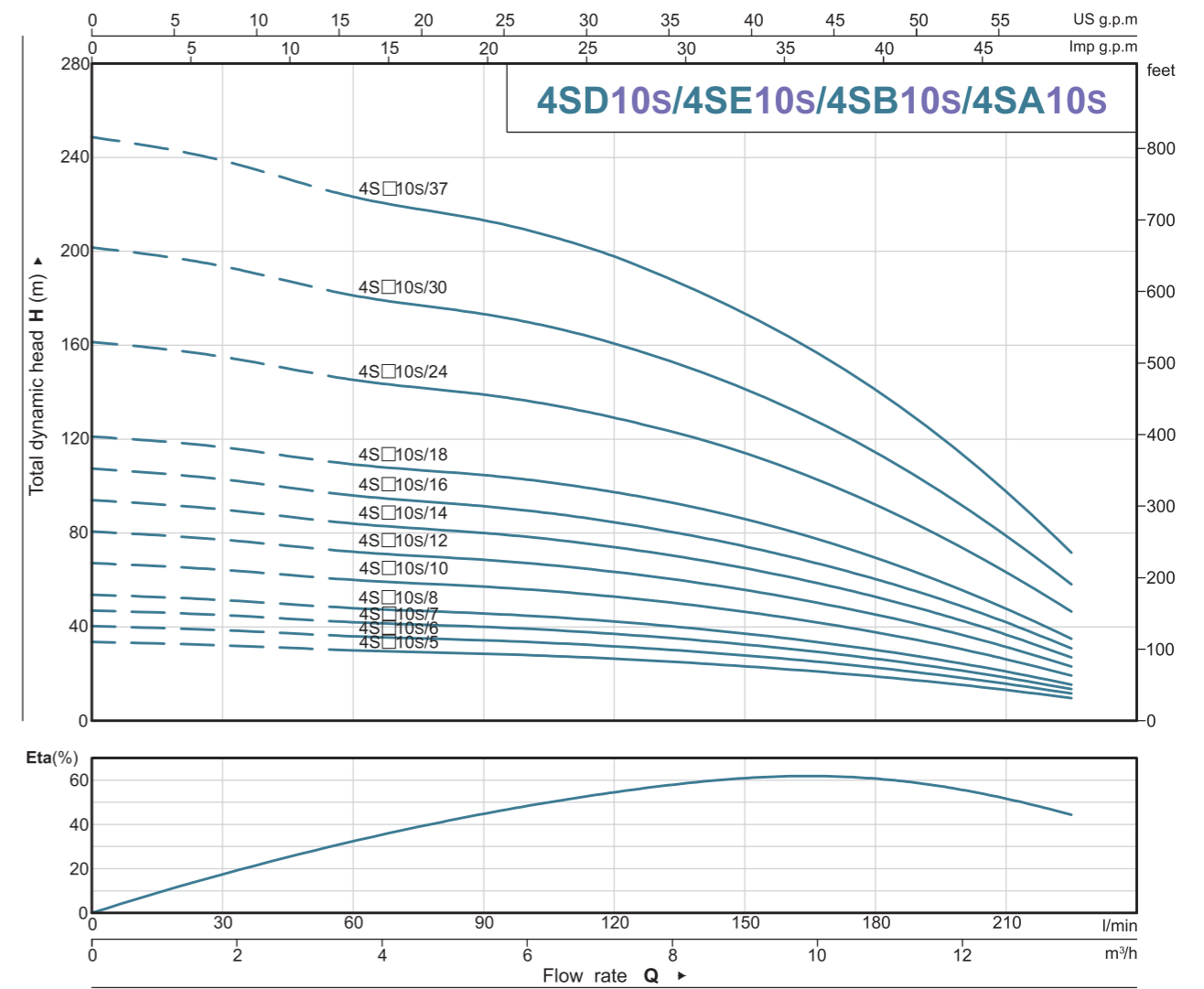
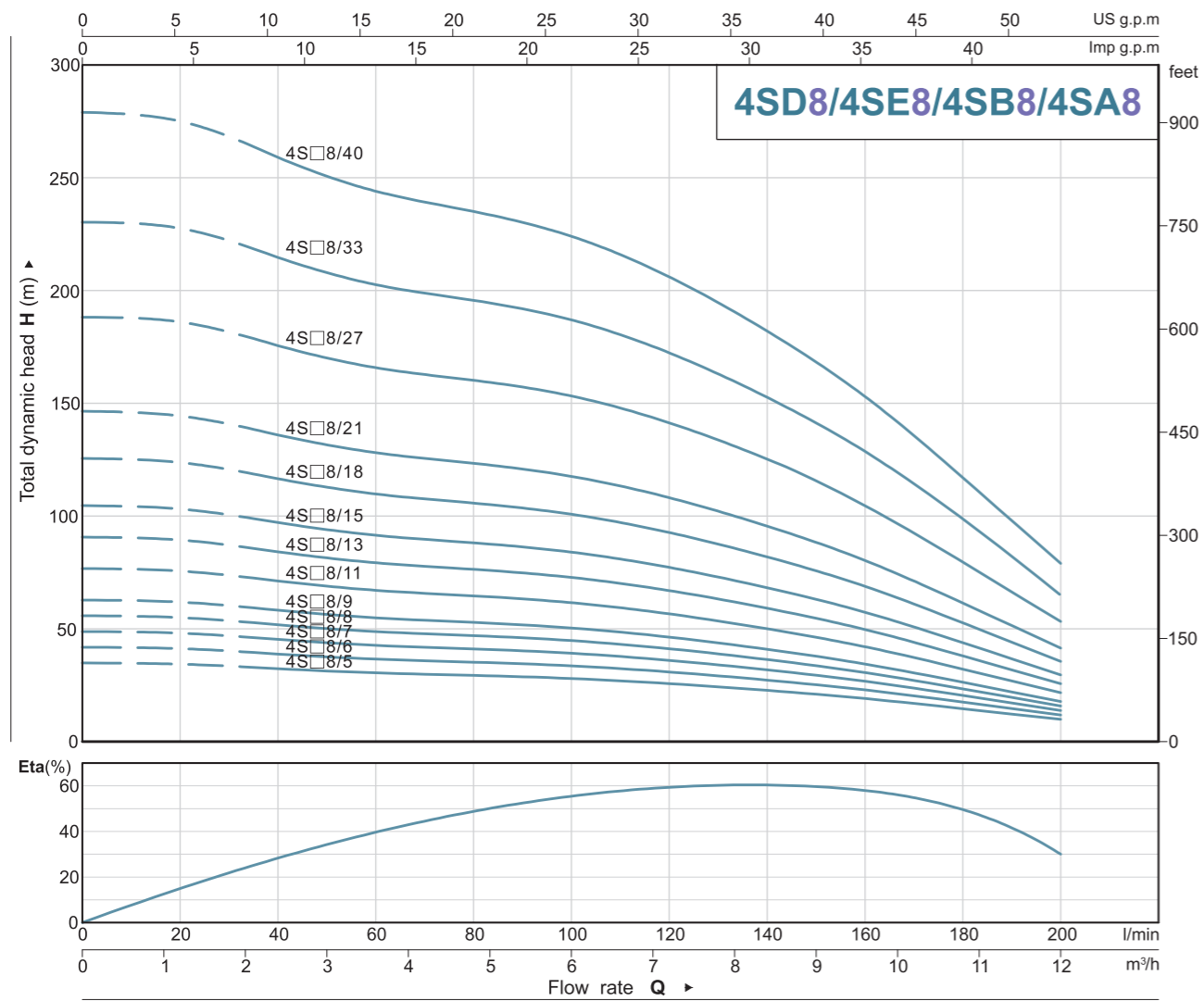
MODEL		P ₂		DELIVERY n≈2850 1/min											
1~220 - 240V	3~380 - 415V	kW	HP	Q m³/h l/min	0	0.6	1.2	1.8	2.4	3.0	3.6	4.2	4.8	5.4	6.0
					0	10	20	30	40	50	60	70	80	90	100
4S□M4/6	-	0.37	0.5	H(m)	44	43	41	40	39	37	36	32	28	23	17
4S□M4/8	4S□4/8	0.55	0.75		59	57	55	54	52	49	47	42	37	30	23
4S□M4/10	4S□4/10	0.75	1		74	71	69	67	65	61	59	53	46	38	29
4S□M4/12	-	0.92	1.25		88	86	82	81	78	74	71	63	56	45	34
4S□M4/14	4S□4/14	1.1	1.5		103	100	96	94	91	86	83	74	65	53	40
4S□M4/16	-	1.3	1.75		118	114	110	107	104	98	95	85	74	61	46
4S□M4/18	4S□4/18	1.5	2		132	129	123	121	117	111	107	95	84	68	51
4S□M4/21	-	1.8	2.5		155	150	144	141	136	129	124	111	97	79	60
4S□M4/24	4S□4/24	2.2	3		177	171	165	161	156	147	142	127	111	91	69
4S□M4/28	4S□4/28	2.6	3.5		206	200	192	188	182	172	166	148	130	106	80
4S□M4/32	4S□4/32	3	4		235	229	219	215	208	197	190	169	149	121	91
-	4S□4/40	4	5.5		294	286	274	269	260	246	237	211	186	151	114
-	4S□4/50	5.5	7.5		368	357	343	336	325	307	296	264	232	189	143

• 4S□ in the above table can be replaced by any of 4SD, 4SE, 4SB, 4SA

PERFORMANCE DATA 50Hz

MODEL		P ₂		DELIVERY n≈2850 1/min								
1~220 - 240V	3~380 - 415V	kW	HP	Q m³/h l/min	0	1.2	2.4	3.6	4.8	6.0	7.2	8.4
					0	20	40	60	80	100	120	140
4S□M6/5	-	0.37	0.5	H(m)	36	35	33	31	28	23	17	10
4S□M6/6	4S□6/6	0.55	0.75		43	41	40	37	33	28	21	11
4S□M6/7	4S□6/7	0.75	1		50	48	46	43	39	32	24	13
4S□M6/8	4S□6/8	0.75	1		57	55	53	49	44	37	28	15
4S□M6/9	-	0.92	1.25		65	62	60	56	50	42	31	17
4S□M6/10	4S□6/10	1.1	1.5		72	69	66	62	55	46	35	19
4S□M6/11	4S□6/11	1.1	1.5		79	76	73	68	61	51	38	21
4S□M6/13	-	1.3	1.75		93	90	86	80	72	60	45	25
4S□M6/15	4S□6/15	1.5	2		108	104	100	93	83	70	52	29
4S□M6/18	-	1.8	2.5		129	124	120	111	100	84	62	34
4S□M6/21	4S□6/21	2.2	3		151	145	139	130	116	97	72	40
4S□M6/24	4S□6/24	2.6	3.5		173	166	159	149	133	111	83	46
4S□M6/27	4S□6/27	3	4		194	186	179	167	150	125	93	51
-	4S□6/34	4	5.5		244	235	226	210	189	158	117	65
-	4S□6/42	5.5	7.5		302	290	279	260	233	195	145	80
-	4S□6/50	7.5	10	359	345	332	309	277	232	173	95	

• 4S□ in the above table can be replaced by any of 4SD, 4SE, 4SB, 4SA



PERFORMANCE DATA 50Hz

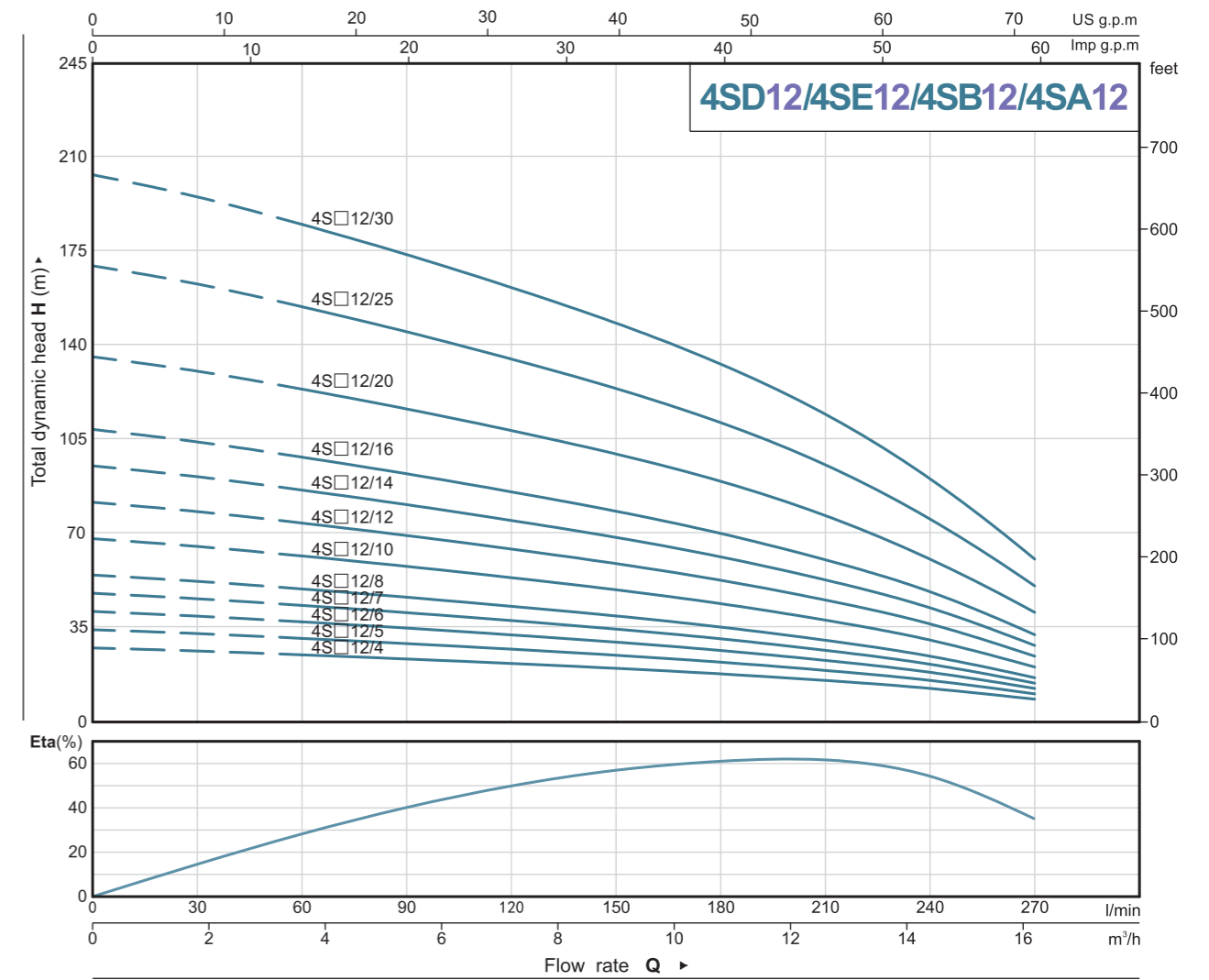
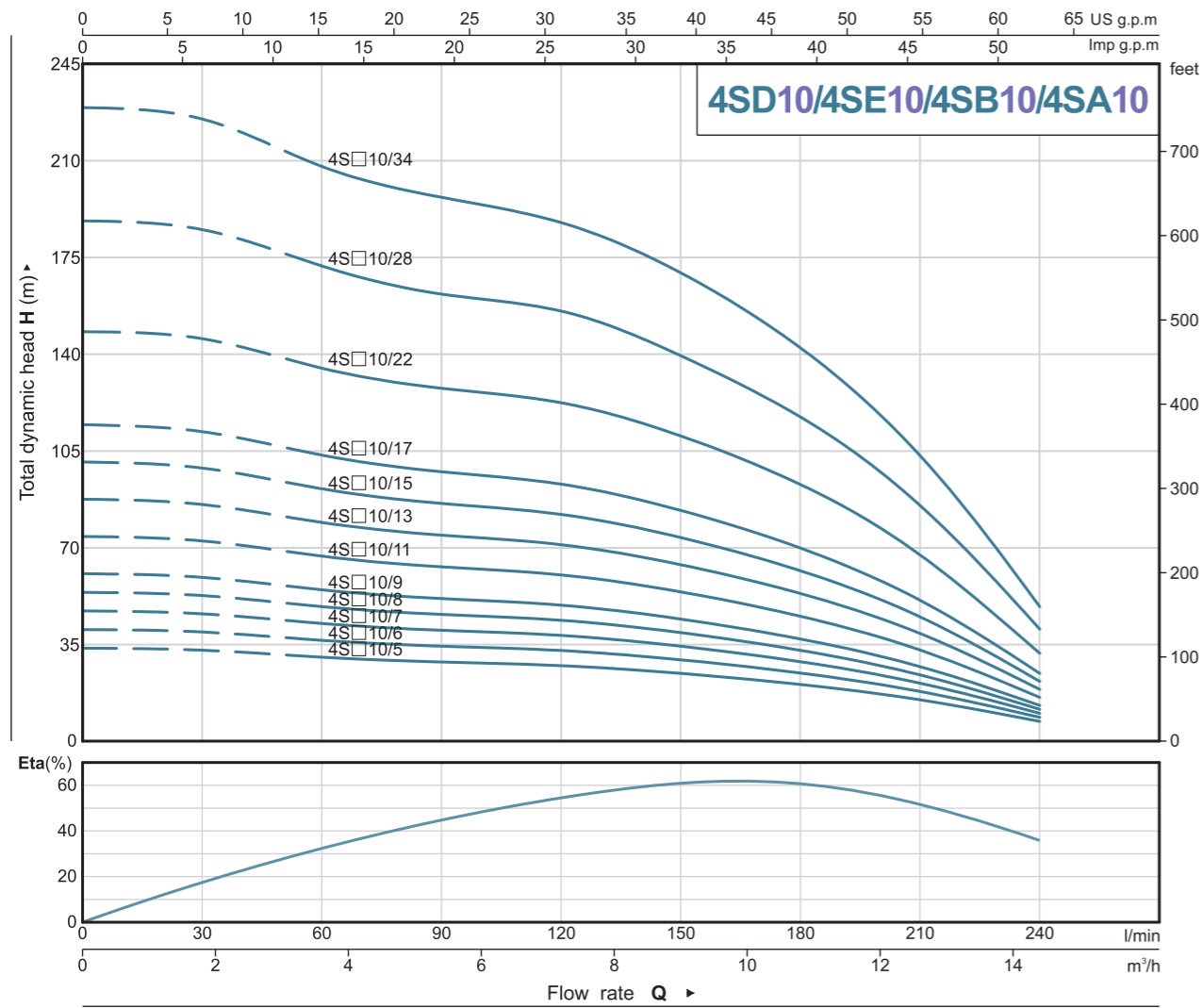
MODEL		P ₂		DELIVERY n≈2850 1/min																						
1~ 220 - 240V	3~ 380 - 415V	kW	HP	Q m³/h l/min	0	1.2	2.4	3.6	4.8	6.0	7.2	8.4	9.6	10.8	12.0	H(m)										
					0	20	40	60	80	100	120	140	160	180	200	0	20	40	60	80	100	120	140	160	180	200
4S□M8/5	4S□8/5	0.55	0.75	H(m)	35	34	32	31	29	28	26	23	19	15	10	0	20	40	60	80	100	120	140	160	180	200
4S□M8/6	4S□8/6	0.75	1		42	41	39	37	35	34	31	27	23	18	12	0	30	60	90	120	150	180	210	240	270	300
4S□M8/7	-	0.92	1.25		49	48	45	43	41	39	36	32	27	20	14	0	40	80	120	160	200	240	280	320	360	400
4S□M8/8	4S□8/8	1.1	1.5		56	55	52	49	47	45	41	36	31	23	16	0	50	100	150	200	250	300	350	400	450	500
4S□M8/9	-	1.3	1.75		63	62	58	55	53	50	46	41	34	26	18	0	60	120	180	240	300	360	420	480	540	600
4S□M8/11	4S□8/11	1.5	2		77	76	71	67	65	62	57	50	42	32	22	0	70	140	210	280	350	420	490	560	630	700
4S□M8/13	-	1.8	2.5		91	89	84	79	76	73	67	59	50	38	26	0	80	160	240	320	400	480	560	640	720	800
4S□M8/15	4S□8/15	2.2	3		105	103	97	92	88	84	77	68	57	44	30	0	90	180	270	360	450	540	630	720	810	900
4S□M8/18	4S□8/18	2.6	3.5		126	124	117	110	106	101	93	82	69	53	36	0	100	200	300	400	500	600	700	800	900	1000
4S□M8/21	4S□8/21	3	4		146	144	136	128	123	118	108	96	80	61	41	0	110	220	330	440	550	660	770	880	990	1100
-	4S□8/27	4	5.5		188	186	175	165	159	151	139	123	103	79	53	0	120	240	360	480	600	720	840	960	1080	1200
-	4S□8/33	5.5	7.5		230	227	214	201	194	185	170	150	126	97	65	0	130	260	390	520	650	780	910	1040	1170	1300
-	4S□8/40	7.5	10		279	275	259	244	235	224	206	182	153	117	79	0	140	280	420	560	700	840	980	1120	1260	1400

• 4S□ in the above table can be replaced by any of 4SD, 4SE, 4SB, 4SA

PERFORMANCE DATA 50Hz

MODEL		P ₂		DELIVERY n≈2850 1/min																													
1~ 220 - 240V	3~ 380 - 415V	kW	HP	Q m³/h l/min	0	1.8	3.6	5.4	7.2	9.0	10.8	12.6	13.5	H(m)																			
					0	30	60	90	120	150	180	210	225	0	30	60	90	120	150	180	210	225											
4S□M10s/5	4S□10s/5	0.75	1	H(m)	34	32	30	29	26	23	19	13	10	0	30	60	90	120	150	180	210	225	0	30	60	90	120	150	180	210	225		
4S□M10s/6	-	0.92	1.25		40	39	36	34	32	28	23	16	12	0	40	80	120	160	200	240	280	320	360	400	440	480	520	560	600	640	680	720	
4S□M10s/7	4S□10s/7	1.1	1.5		47	45	42	40	37	32	26	18	13	0	50	100	150	200	250	300	350	400	450	500	550	600	650	700	750	800	850	900	
4S□M10s/8	-	1.3	1.75		54	51	48	46	42	37	30	21	15	0	60	120	180	240	300	360	420	480	540	600	660	720	780	840	900	960	1020	1080	1140
4S□M10s/10	4S□10s/10	1.5	2		67	64	60	57	53	46	38	26	19	0	70	140	210	280	350	420	490	560	630	700	770	840	910	980	1050	1120	1190	1260	1330
4S□M10s/12	-	1.8	2.5		81	77	72	69	63	56	45	32	23	0	80	160	240	320	400	480	560	640	720	800	880	960	1040	1120	1200	1280	1360	1440	1520
4S□M10s/14	4S□10s/14	2.2	3		94	90	84	80	74	65	53	37	27	0	90	180	270	360	450	540	630	720	810	900	990	1080	1170	1260	1350	1440	1530	1620	1710
4S□M10s/16	4S□10s/16	2.6	3.5		107	103	96	91	85	74	61	42	31	0	100	200	300	400	500	600	700	800	900	1000	1100	1200	1300	1400	1500	1600	1700	1800	1900
4S□M10s/18	4S□10s/18	3	4		121	116	108	103	95	83	68	47	35	0	110	220	330	440	550	660	770	880	990	1100	1210	1320	1430	1540	1650	1760	1870	1980	2090
-	4S□10s/24	4	5.5		161	154	144	137	127	111	91	63	46	0	120	240	360	480	600	720	840	960	1080	1200	1320	1440	1560	1680	1800	1920	2040	2160	2280
-	4S□10s/30	5.5	7.5		201	193	180	171	159	139	114	79	58	0	130	260	390	520	650	780	910	1040	1170	1300	1430	1560	1690	1820	1950	2080	2210	2340	2470
-	4S□10s/37	7.5	10		248	238	222	211	196	171	140	97	71	0	140	280	420	560	700	840	980	1120	1260	1400	1540	1680	1820	1960	2100	2240	2380	2520	2660

• 4S□ in the above table can be replaced by any of 4SD, 4SE, 4SB, 4SA



PERFORMANCE DATA 50Hz

MODEL		P ₂		DELIVERY n≈2850 1/min									
1~ 220 - 240V	3~ 380 - 415V	kW	HP	Q m³/h l/min	0	1.8	3.6	5.4	7.2	9.0	10.8	12.6	14.4
					0	30	60	90	120	150	180	210	240
4S□M10/5	4S□10/5	0.75	1	H(m)	34	33	30	29	27	25	21	15	7
4S□M10/6	-	0.92	1.25		40	40	37	34	33	29	25	18	9
4S□M10/7	4S□10/7	1.1	1.5		47	46	43	40	38	34	29	21	10
4S□M10/8	-	1.3	1.75		54	53	49	46	44	39	33	24	12
4S□M10/9	4S□10/9	1.5	2		61	59	55	52	49	44	37	27	13
4S□M10/11	-	1.8	2.5		74	72	67	63	60	54	45	33	16
4S□M10/13	4S□10/13	2.2	3		88	86	79	75	71	64	53	39	19
4S□M10/15	4S□10/15	2.6	3.5		101	99	91	86	82	74	62	45	22
4S□M10/17	4S□10/17	3	4		115	112	104	98	93	84	70	51	25
-	4S□10/22	4	5.5		148	145	134	126	120	108	91	66	31
-	4S□10/28	5.5	7.5		189	185	170	161	153	138	115	84	40
-	4S□10/34	7.5	10		229	224	207	195	186	167	140	102	49

• 4S□ in the above table can be replaced by any of 4SD, 4SE, 4SB, 4SA

PERFORMANCE DATA 50Hz

MODEL		P ₂		DELIVERY n≈2850 1/min												
1~ 220 - 240V	3~ 380 - 415V	kW	HP	Q m³/h l/min	0	1.8	3.6	5.4	7.2	9.0	10.8	12.6	14.4	16.2		
					0	30	60	90	120	150	180	210	240	270		
4S□M12/4	4S□12/4	0.75	1	H(m)	27	26	25	23	21	19	17	15	12	7		
4S□M12/5	-	0.92	1.25		34	33	31	28	27	24	22	19	15	9		
4S□M12/6	4S□12/6	1.1	1.5		41	39	37	34	32	29	26	23	18	11		
4S□M12/7	-	1.3	1.75		47	46	43	39	37	34	31	26	21	12		
4S□M12/8	4S□12/8	1.5	2		54	52	49	45	43	39	35	30	24	14		
4S□M12/10	-	1.8	2.5		68	65	61	56	53	49	44	38	30	18		
4S□M12/12	4S□12/12	2.2	3		81	78	74	68	64	58	52	45	36	21		
4S□M12/14	4S□12/14	2.6	3.5		95	91	86	79	75	68	61	53	42	25		
4S□M12/16	4S□12/16	3	4		108	104	98	90	85	78	70	60	48	28		
-	4S□12/20	4	5.5		135	130	123	113	106	97	87	75	60	35		
-	4S□12/25	5.5	7.5		169	163	153	141	133	122	109	94	75	44		
-	4S□12/30	7.5	10		203	195	184	169	160	146	131	113	90	53		

• 4S□ in the above table can be replaced by any of 4SD, 4SE, 4SB, 4SA

4SP

Applications

For water supply from wells or reservoirs
For domestic use, for civil and industrial applications
For garden use and irrigation

Operating conditions

Maximum fluid temperature up to +50°C
Maximum sand content: 0.25%
Minimum well diameter: 4"

Motor and Pump

Rewindable motor
Single-phase: 220 - 240V/50Hz
Three-phase: 380 - 415V/50Hz
Equip with start control box or digital auto-control box
NEMA dimension standards
Curve tolerance according to ISO 9906

Options on request

Special mechanical seal
Other voltages or frequency 60Hz
Single phase motor with built-in capacitor

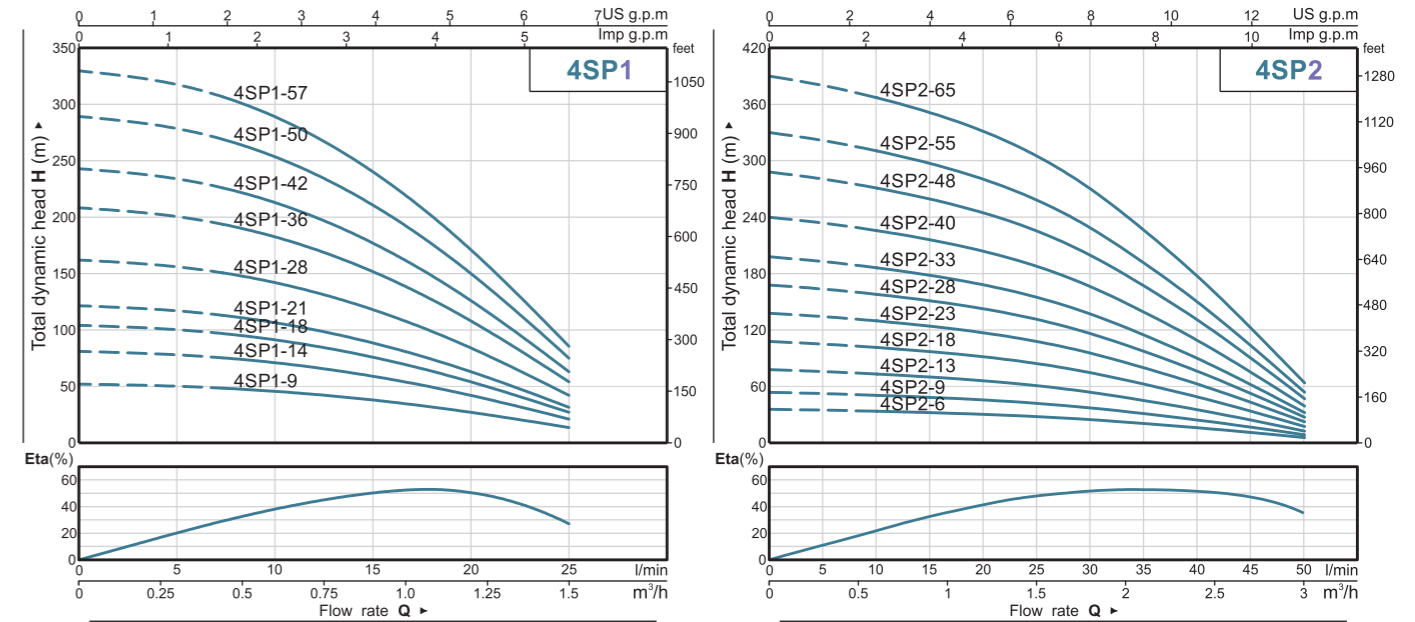
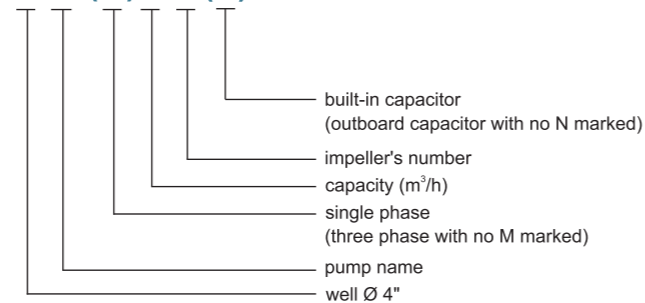
Warranty: 2 years

(according to our general sales conditions)



Components	Material
Delivery casing	AISI 304 SS
Suction lantern	AISI 304 SS
Diffuser	AISI 304 SS
Impeller	AISI 304 SS
Shaft	AISI 304 SS
Shaft coupling	AISI 304 SS
Wear ring	Rubber
Motor external casing	AISI 304 SS
Top chock	①Cast-Cu ASTM C85500 ②AISI 304 SS ③Cast-iron ASTM NO.30
Bottom support	AISI 304 SS
Mechanical seal	Special seal for deep well(Graphite-Ceramic)
Shaft	AISI 304 SS-ASTM 5140
Seal lubricant oil	Oil for food machinery and pharmaceutic use.

4 SP (M) 1-9 (N)

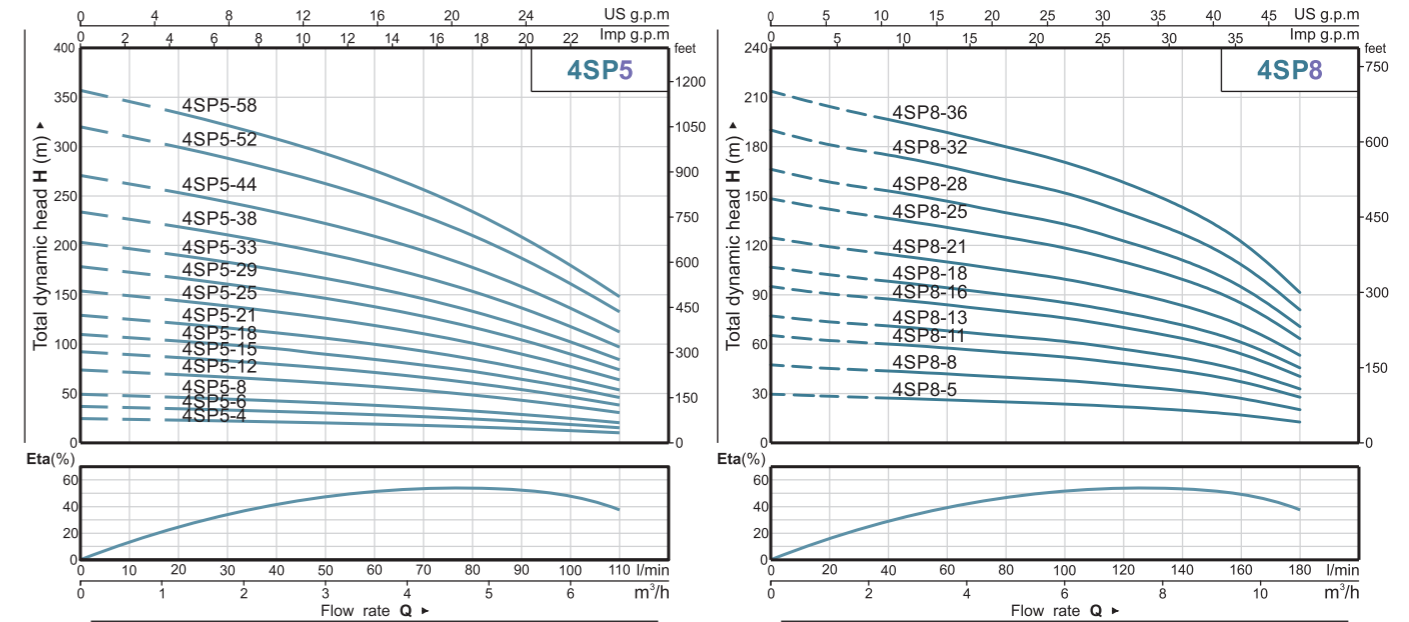
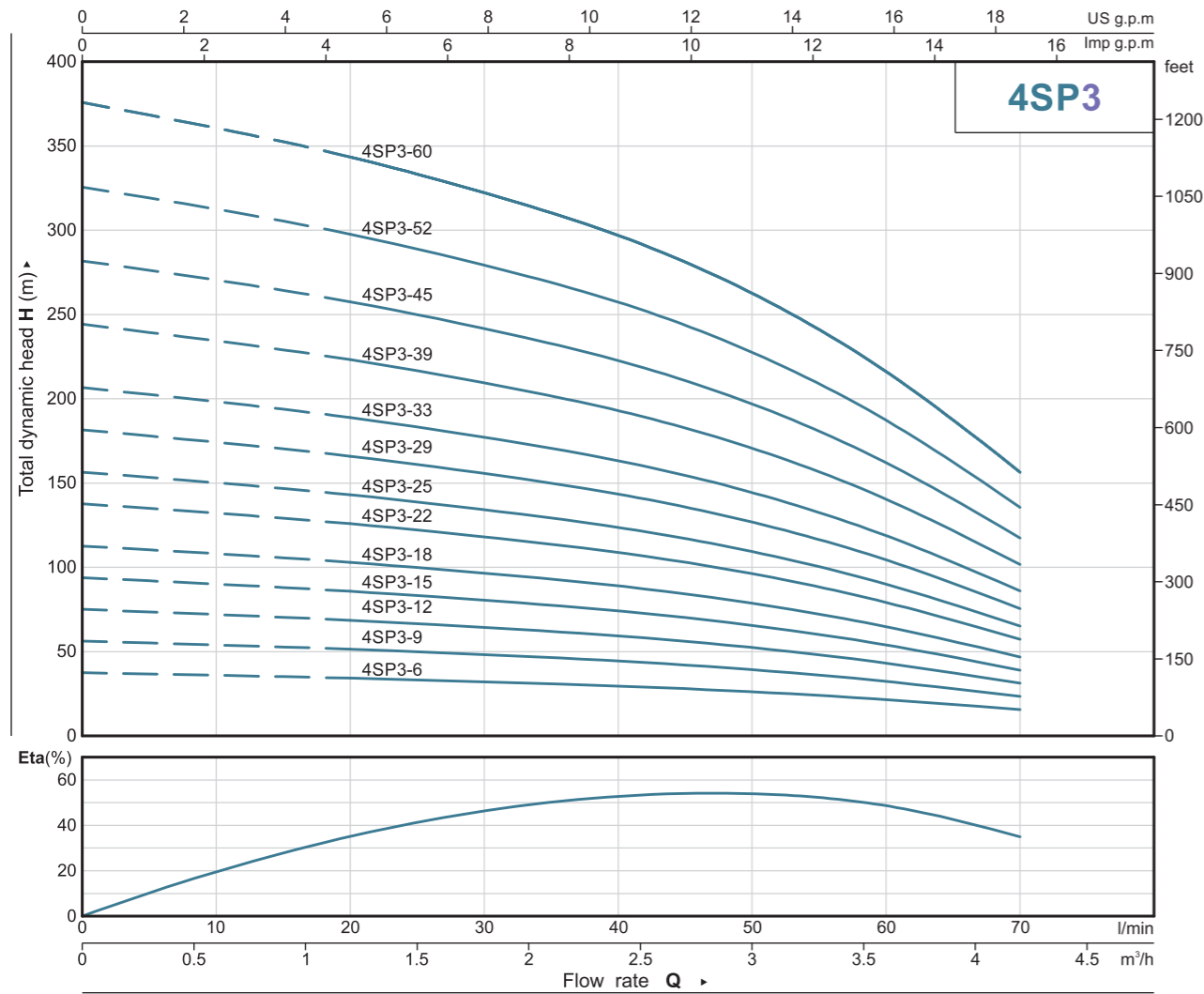


PERFORMANCE DATA 50Hz

MODEL		P ₂		DELIVERY						
1~	3~	kW	HP	Q	n≈2850 1/min					
220 - 240V	380 - 415V				m³/h	0	0.3	0.6	0.9	1.2
4SPM1-9	-	0.37	0.5	H(m)	0	5	10	15	20	25
4SPM1-14	-	0.37	0.5		0	5	10	15	20	25
4SPM1-18	4SP1-18	0.55	0.75		52	50	46	38	27	14
4SPM1-21	4SP1-21	0.55	0.75		81	78	71	59	42	21
4SPM1-28	4SP1-28	0.75	1		104	100	91	76	54	27
4SPM1-36	-	0.92	1.25		122	117	107	89	63	32
4SPM1-42	4SP1-42	1.1	1.5		162	156	142	118	84	42
4SPM1-50	-	1.3	1.75		208	201	183	152	108	54
4SPM1-57	4SP1-57	1.5	2		243	234	213	177	126	63
					289	279	254	211	150	75
				330	318	289	240	171	86	

PERFORMANCE DATA 50Hz

MODEL		P ₂		DELIVERY											
1~	3~	kW	HP	Q	n≈2850 1/min										
220 - 240V	380 - 415V				m³/h	0	0.3	0.6	0.9	1.2	1.5	1.8	2.1	2.4	2.7
4SPM2-6	-	0.37	0.5	H(m)	0	5	10	15	20	25	30	35	40	45	50
4SPM2-9	-	0.37	0.5		0	5	10	15	20	25	30	35	40	45	50
4SPM2-13	4SP2-13	0.55	0.75		36	35	34	32	31	28	25	21	16	11	6
4SPM2-18	4SP2-18	0.75	1		54	53	51	48	46	42	37	31	25	17	9
4SPM2-23	4SP2-23	1.1	1.5		78	76	73	70	66	61	54	45	35	24	13
4SPM2-28	-	1.3	1.75		108	105	102	97	92	85	75	63	49	34	18
4SPM2-33	4SP2-33	1.5	2		138	134	130	124	117	108	96	80	63	43	23
4SPM2-40	-	1.8	2.5		168	164	158	151	143	132	116	97	76	53	28
4SPM2-48	4SP2-48	2.2	3		198	193	186	178	168	155	137	115	90	62	32
4SPM2-55	4SP2-55	2.6	3.5		240	234	226	215	204	188	166	139	109	75	39
4SPM2-65	4SP2-65	3	4		288	281	271	258	244	226	199	167	131	90	47
					330	322	311	296	280	259	228	191	150	103	54
				390	380	367	350	331	306	270	226	177	122	64	



PERFORMANCE DATA 50Hz

MODEL		P ₂		DELIVERY n≈2850 1/min												
1~ 220 - 240V	3~ 380 - 415V	kW	HP	Q m³/h l/min	0	0.6	1.2	1.8	2.4	3.0	3.6	4.2	4.8	5.4	6.0	6.6
4SPM5-4	-	0.37	0.5	H(m)	25	24	23	22	21	20	19	18	16	15	12	10
4SPM5-6	4SP5-6	0.55	0.75		37	36	35	33	32	30	28	26	24	22	19	15
4SPM5-8	4SP5-8	0.75	1		49	48	46	44	42	40	38	35	32	29	25	20
4SPM5-12	4SP5-12	1.1	1.5		74	72	69	66	63	60	57	53	48	44	37	31
4SPM5-15	-	1.3	1.75		92	89	86	83	79	75	71	66	61	55	47	38
4SPM5-18	4SP5-18	1.5	2		111	107	104	99	95	90	85	79	73	65	57	46
4SPM5-21	-	1.8	2.5		129	125	121	116	111	105	99	92	85	76	66	54
4SPM5-25	4SP5-25	2.2	3		154	149	144	138	132	125	118	110	101	91	78	64
4SPM5-29	4SP5-29	2.6	3.5		179	173	167	160	153	145	137	128	117	106	90	74
4SPM5-33	4SP5-33	3	4		203	197	190	182	174	165	156	145	133	120	103	84
-	4SP5-38	4	5.5		234	226	219	210	201	190	179	167	154	138	119	97
-	4SP5-44	4	5.5		271	262	253	243	232	220	208	194	178	160	137	112
-	4SP5-52	5.5	7.5		320	310	300	287	275	260	245	229	210	189	162	133
-	4SP5-58	5.5	7.5		357	346	334	320	306	290	274	255	234	211	181	148

PERFORMANCE DATA 50Hz

MODEL		P ₂		DELIVERY n≈2850 1/min									
1~ 220 - 240V	3~ 380 - 415V	kW	HP	Q m³/h l/min	0	0.6	1.2	1.8	2.4	3.0	3.6	4.2	
4SPM3-6	-	0.37	0.5	H(m)	37	36	34	32	29	26	21	15	
4SPM3-9	4SP3-9	0.55	0.75		56	54	51	48	44	39	32	23	
4SPM3-12	4SP3-12	0.75	1		74	71	68	64	59	52	43	31	
4SPM3-15	-	0.92	1.25		93	89	85	80	73	65	53	39	
4SPM3-18	4SP3-18	1.1	1.5		112	107	102	96	88	78	64	46	
4SPM3-22	-	1.3	1.75		136	131	125	117	108	95	78	57	
4SPM3-25	4SP3-25	1.5	2		155	149	142	133	122	108	89	65	
4SPM3-29	-	1.8	2.5		180	173	164	154	142	126	103	75	
4SPM3-33	4SP3-33	2.2	3		205	196	187	175	162	143	118	85	
4SPM3-39	4SP3-39	2.6	3.5		242	232	221	207	191	169	139	101	
4SPM3-45	4SP3-45	3	4		279	268	255	239	220	195	160	116	
-	4SP3-52	4	5.5		322	309	295	276	255	225	185	134	
-	4SP3-60	4	5.5		372	357	340	319	294	260	214	155	

PERFORMANCE DATA 50Hz

MODEL		P ₂		DELIVERY n≈2850 1/min										
1~ 220 - 240V	3~ 380 - 415V	kW	HP	Q m³/h l/min	0	1.2	2.4	3.6	4.8	6.0	7.2	8.4	9.6	10.8
4SPM8-5	4SP8-5	0.75	1	H(m)	30	28	27	26	25	24	22	20	17	13
4SPM8-8	4SP8-8	1.1	1.5		48	45	44	42	40	38	35	32	27	20
4SPM8-11	4SP8-11	1.5	2		66	62	61	58	55	52	48	44	37	28
4SPM8-13	-	1.8	2.5		78	73	72	68	65	62	57	52	44	33
4SPM8-16	4SP8-16	2.2	3		96	90	88	84	80	76	70	64	54	40
4SPM8-18	4SP8-18	2.6	3.5		107	102	98	94	90	85	79	72	61	46
4SPM8-21	4SP8-21	3	4		125	119	115	110	105	100	92	84	71	53
-	4SP8-25	4	5.5		149	142	137	131	125	118	110	99	85	63
-	4SP8-28	4	5.5		168	158	154	147	140	133	123	112	95	70
-	4SP8-32	5.5	7.5		192	180	176	168	160	152	140	128	108	80
-	4SP8-36	5.5	7.5		214	204	197	189	180	171	158	143	122	91



6SD/6SB/6SC

Applications

For water supply from wells or reservoirs
For domestic use, for civil and industrial applications
For garden use and irrigation

Operating conditions

Maximum fluid temperature up to +35°C
Maximum sand content: 0.25%
Minimum well diameter: 6"

Motor and Pump

Rewindable motor
Single-phase: 220 - 240V/50Hz
Three-phase: 380 - 415V/50Hz
Equip with start control box or digital auto-control box
Curve tolerance according to ISO 9906

Options on request

Special mechanical seal
Other voltages or frequency 60Hz
Single phase motor with built-in capacitor

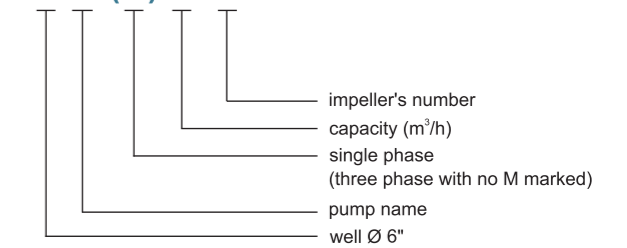
Warranty: 2 years

(according to our general sales conditions)



Components	Material
Pump external casing	AISI 304 SS
Delivery casing	① Cast-Cu ASTM C85500 ② AISI 304 SS ③ Cast-iron ASTM NO.30
Suction lantern	① AISI 304 SS ② Cast-iron ASTM NO.30
Diffuser	Plastic.PC
Impeller	Plastic.POM
Shaft	AISI 304 SS
Shaft coupling	AISI 304 SS
Wear ring	AISI 304 SS
Motor external casing	AISI 304 SS
Top chock	① Cast-iron ASTM NO.30 ② Cast-Cu ASTM C85500
Bottom support	AISI 304 SS
Mechanical seal	Special seal for deep well(Graphite-Ceramic)
Shaft	AISI 304 SS-ASTM 5140
Seal lubricant oil	Oil for food machinery and pharmaceutic use.

6 SD (M) 10 / 6



6SP

Applications

For water supply from wells or reservoirs
For domestic use, for civil and industrial applications
For garden use and irrigation

Operating conditions

Maximum fluid temperature up to +50°C
Maximum sand content: 0.25%
Minimum well diameter: 6"

Motor and Pump

Rewindable motor
Single-phase: 220 - 240V/50Hz
Three-phase: 380 - 415V/50Hz
① Direct start (1 cable)
② Star-delta start (2 cables)
Equip with start control box or digital auto-control box
NEMA dimension standards
Curve tolerance according to ISO 9906

Options on request

Special mechanical seal
Other voltages or frequency 60Hz

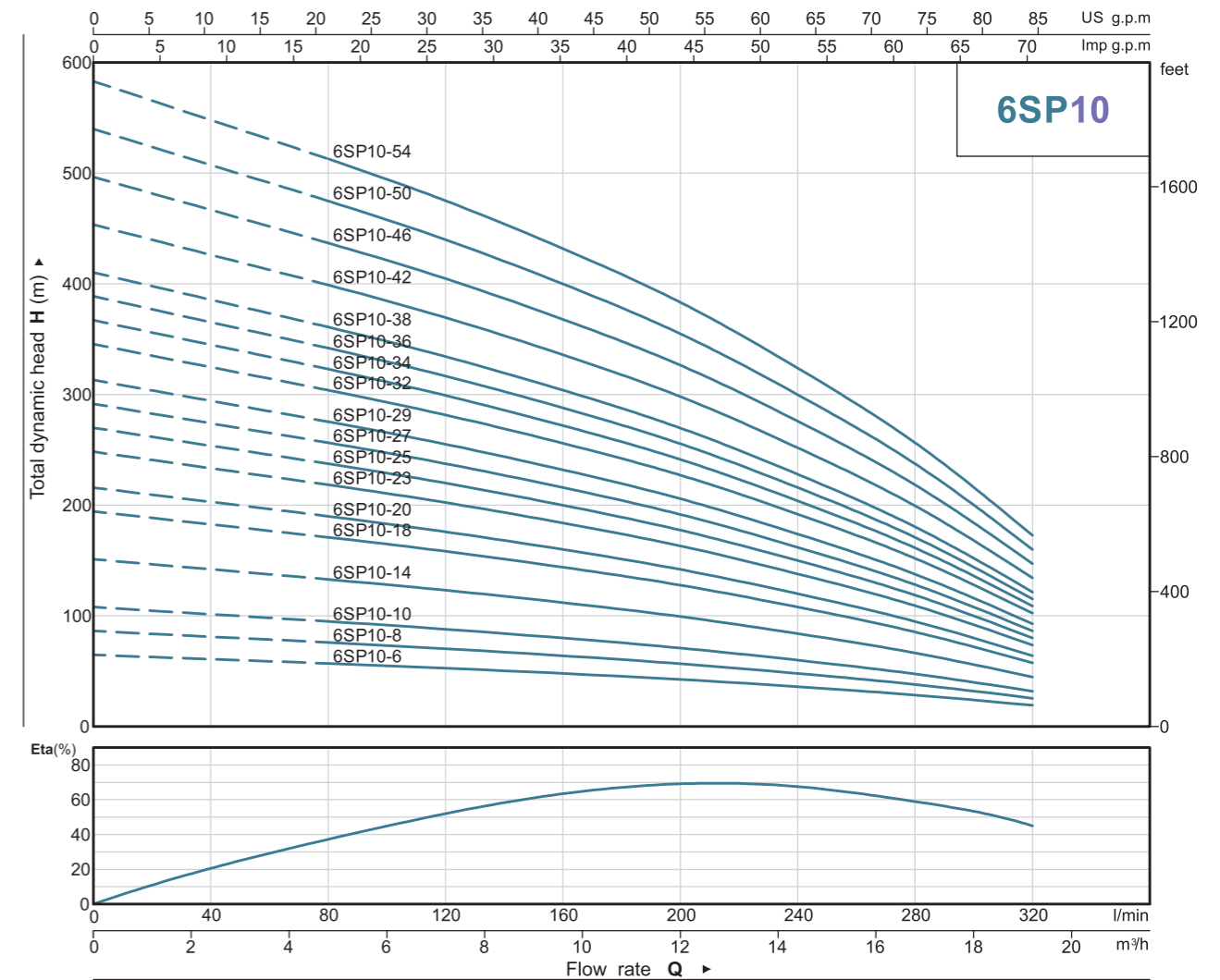
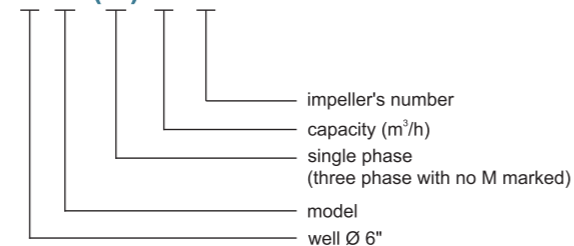
Warranty: 2 years

(according to our general sales conditions)



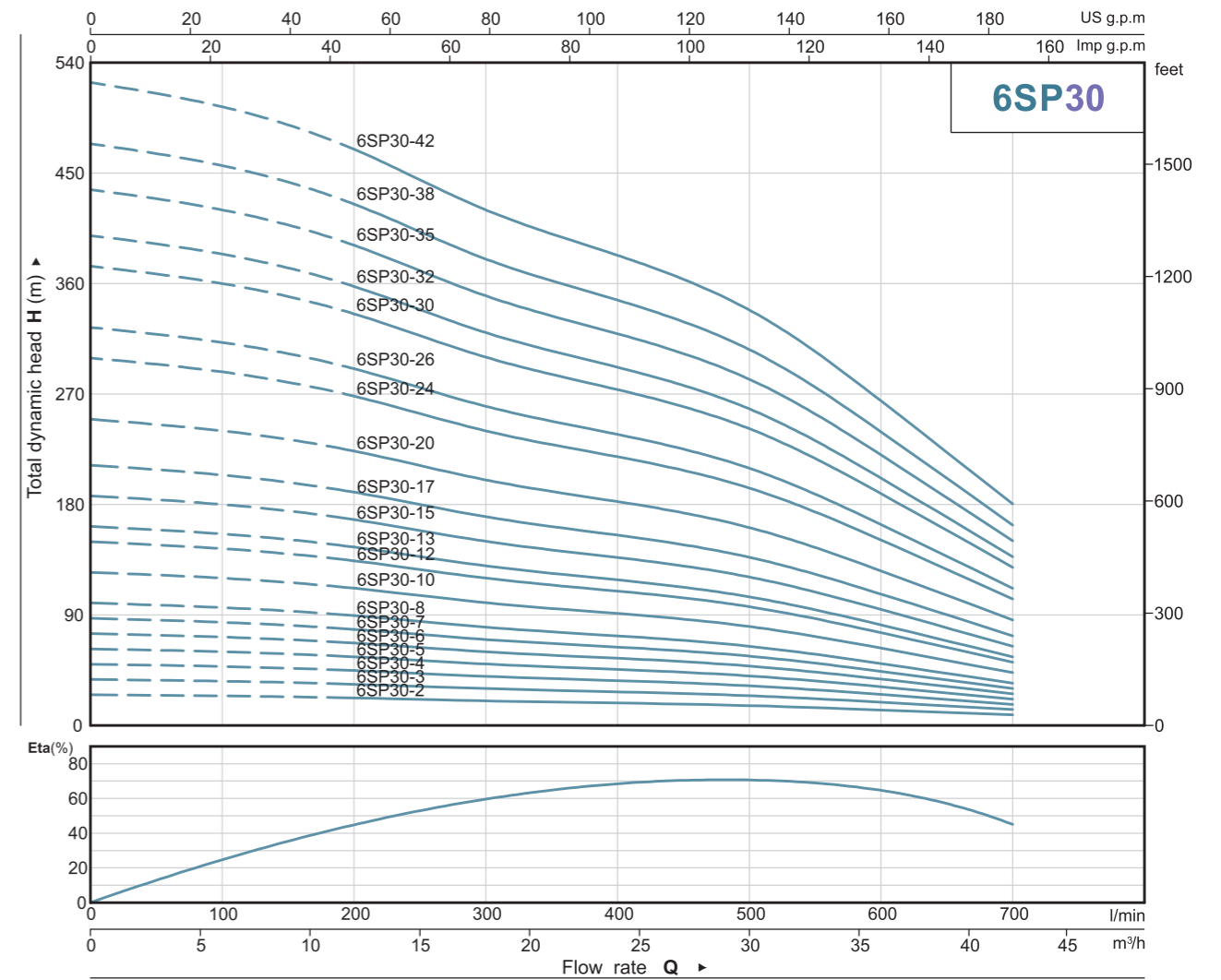
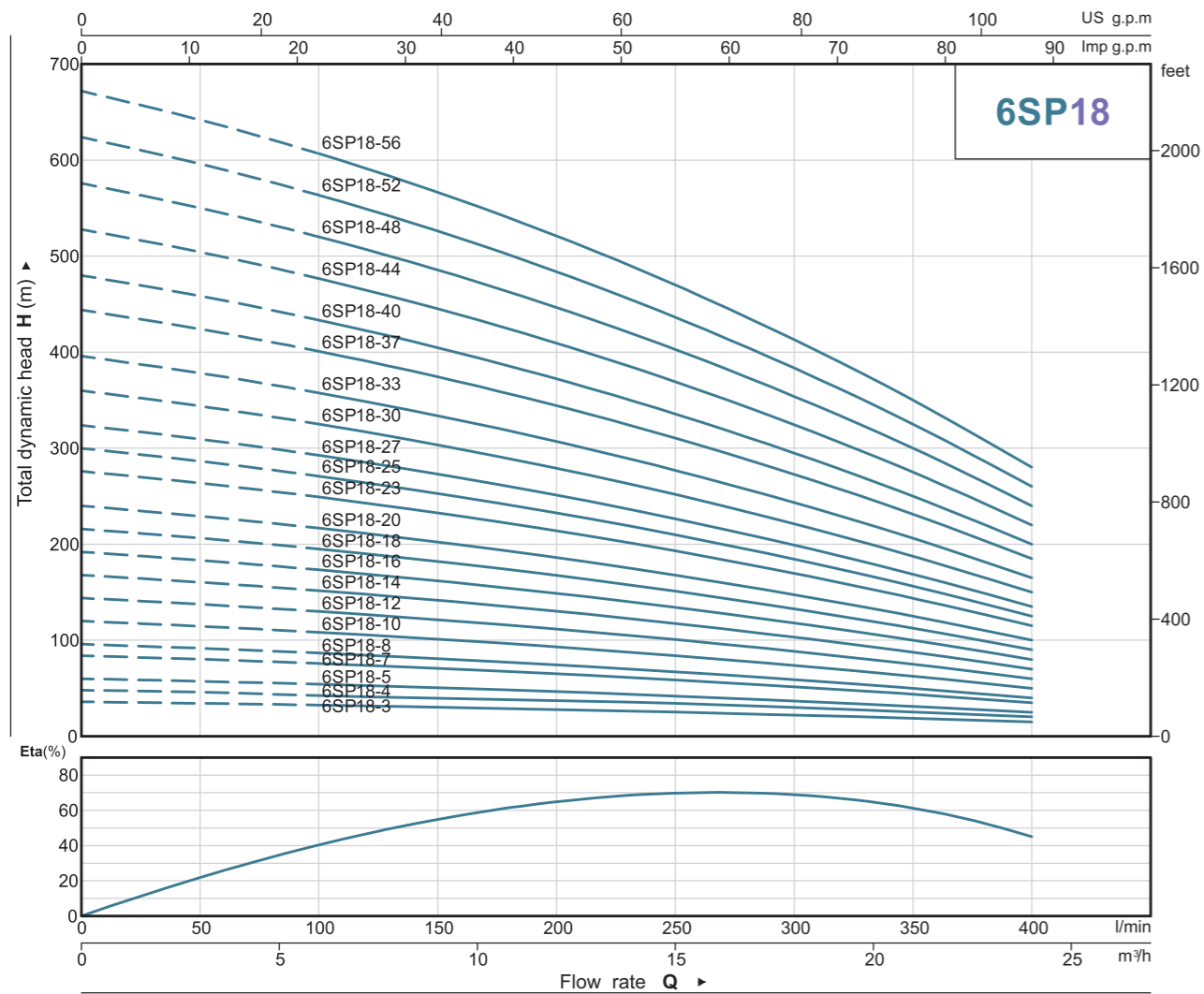
Components	Material
Delivery casing	AISI 304 SS
Suction lantern	AISI 304 SS
Diffuser	AISI 304 SS
Impeller	AISI 304 SS
Shaft	AISI 431 SS
Shaft coupling	AISI 304 SS
Wear ring	Rubber
Motor external casing	AISI 304 SS
Top chock	Cast-iron ASTM NO.30
Bottom support	Cast-iron ASTM NO.30
Seal	NBR Graphite-SiC/TC
Shaft	AISI 304 SS-ASTM 5140

6 SP (M) 10-6



PERFORMANCE DATA 50Hz

MODEL		P ₂		DELIVERY												
1~ 220 - 240V	3~ 380 - 415V	kW	HP	n≈2850 1/min												
				Q	0	2.4	4.8	7.2	9.6	12.0	14.4	16.8	19.2			
				m ³ /h l/min	0	40	80	120	160	200	240	280	320			
6SPM10-6	6SP10-6	2.2	3	H(m)	65	61	56	53	48	43	36	29	19			
6SPM10-8	6SP10-8	3	4		86	81	75	70	64	57	48	38	26			
6SPM10-10	6SP10-10	4	5.5		108	101	94	88	80	71	60	48	32			
6SPM10-14	6SP10-14	5.5	7.5		151	142	132	123	112	99	84	67	45			
-	6SP10-18	7.5	10		194	183	169	158	144	128	108	86	58			
-	6SP10-20	7.5	10		216	203	188	176	160	142	120	95	64			
-	6SP10-23	9.2	12.5		248	233	216	202	184	163	138	109	74			
-	6SP10-25	9.2	12.5		270	254	235	220	200	177	150	119	80			
-	6SP10-27	11	15		291	274	254	237	216	192	162	128	86			
-	6SP10-29	11	15		313	294	273	255	232	206	174	138	93			
-	6SP10-32	13	17.5		345	325	301	281	256	227	192	152	103			
-	6SP10-34	13	17.5		367	345	320	299	272	241	204	162	109			
-	6SP10-36	15	20		389	365	339	317	288	255	216	171	115			
-	6SP10-38	15	20		410	386	357	334	304	270	228	181	122			
-	6SP10-42	18.5	25		453	426	395	369	336	298	252	200	135			
-	6SP10-46	18.5	25		497	467	433	405	368	326	276	219	147			
-	6SP10-50	22	30	540	507	470	440	400	355	300	238	160				
-	6SP10-54	22	30	583	548	508	475	432	383	324	257	173				



PERFORMANCE DATA 50Hz

MODEL		P ₂		DELIVERY n≈2850 1/min									
1~ 220 - 240V	3~ 380 - 415V	kW	HP	Q m³/h l/min	0	3	6	9	12	15	18	21	24
					0	50	100	150	200	250	300	350	400
6SPM18-3	6SP18-3	2.2	3	H(m)	36	34	33	30	28	25	22	19	15
6SPM18-4	6SP18-4	2.2	3		48	46	42	40	37	34	30	25	20
6SPM18-5	6SP18-5	3	4		60	57	54	51	47	42	37	31	25
6SPM18-7	6SP18-7	4	5.5		84	80	76	71	65	59	52	44	35
6SPM18-8	6SP18-8	5.5	7.5		96	92	87	81	74	67	59	50	40
6SPM18-10	6SP18-10	5.5	7.5		120	115	108	101	93	84	74	63	50
-	6SP18-12	7.5	10		144	138	130	121	112	101	88	75	60
-	6SP18-14	7.5	10		168	160	152	142	130	117	103	88	70
-	6SP18-16	9.2	12.5		192	183	173	162	149	134	118	100	80
-	6SP18-18	11	15		216	206	195	182	167	151	133	113	90
-	6SP18-20	11	15		240	229	217	202	186	168	147	125	100
-	6SP18-23	13	17.5		276	264	249	233	214	193	170	144	115
-	6SP18-25	15	20		300	287	271	253	233	210	184	156	125
-	6SP18-27	15	20		324	309	293	273	251	227	199	169	135
-	6SP18-30	18.5	25		360	344	325	303	279	252	221	188	150
-	6SP18-33	18.5	25		396	378	358	334	307	277	243	206	165
-	6SP18-37	22	30		444	424	401	374	344	310	273	231	185
-	6SP18-40	22	30		480	458	433	405	372	336	295	250	200
-	6SP18-44	26	35	528	504	477	445	409	369	324	275	220	
-	6SP18-48	26	35	576	550	520	486	447	403	354	300	240	
-	6SP18-52	30	40	624	596	563	526	484	436	383	325	260	
-	6SP18-56	30	40	672	642	607	567	521	470	413	350	280	

PERFORMANCE DATA 50Hz

MODEL		P ₂		DELIVERY n≈2850 1/min								
1~ 220 - 240V	3~ 380 - 415V	kW	HP	Q m³/h l/min	0	6	12	18	24	30	36	42
					0	100	200	300	400	500	600	700
6SPM30-2	6SP30-2	2.2	3	H(m)	25	24	22	20	18	16	13	9
6SPM30-3	6SP30-3	3	4		37	36	34	30	27	24	19	13
6SPM30-4	6SP30-4	4	5.5		50	48	45	40	36	32	25	17
6SPM30-5	6SP30-5	5.5	7.5		62	60	56	50	46	40	31	21
6SPM30-6	6SP30-6	5.5	7.5		75	72	67	60	55	48	38	26
-	6SP30-7	7.5	10		87	84	78	70	64	56	44	30
-	6SP30-8	7.5	10		100	96	89	80	73	64	50	34
-	6SP30-10	9.2	12.5		125	120	112	100	91	81	63	43
-	6SP30-12	11	15		150	144	134	120	109	97	76	52
-	6SP30-13	11	15		162	156	145	130	119	105	82	56
-	6SP30-15	13	17.5		187	180	168	150	137	121	94	64
-	6SP30-17	15	20		212	204	190	170	155	137	107	73
-	6SP30-20	18.5	25		249	240	224	200	182	161	126	86
-	6SP30-24	22	30		299	288	268	240	219	193	151	103
-	6SP30-26	26	35		324	312	291	260	237	210	164	112
-	6SP30-30	26	35		374	360	335	300	274	242	189	129
-	6SP30-32	30	40		399	384	358	320	292	258	201	137
-	6SP30-35	30	40		436	420	391	350	319	282	220	150
-	6SP30-38	37	50	474	456	425	380	346	306	239	163	
-	6SP30-42	37	50	524	504	469	420	383	338	264	180	

6SR

Applications

For water supply from wells or reservoirs
For domestic use, for civil and industrial applications
For garden use and irrigation

Operating conditions

Maximum fluid temperature up to +35°C
Maximum sand content: 0.25%
Minimum well diameter: 6"

Motor and Pump

Rewindable motor
Single-phase: 220 - 240V/50Hz
Three-phase: 380 - 415V/50Hz
① Direct start (1 cable)
② Star-delta start (2 cables)
Equip with start control box or digital auto-control box
NEMA dimension standards
Curve tolerance according to ISO 9906

Options on request

Special mechanical seal
Other voltages or frequency 60Hz

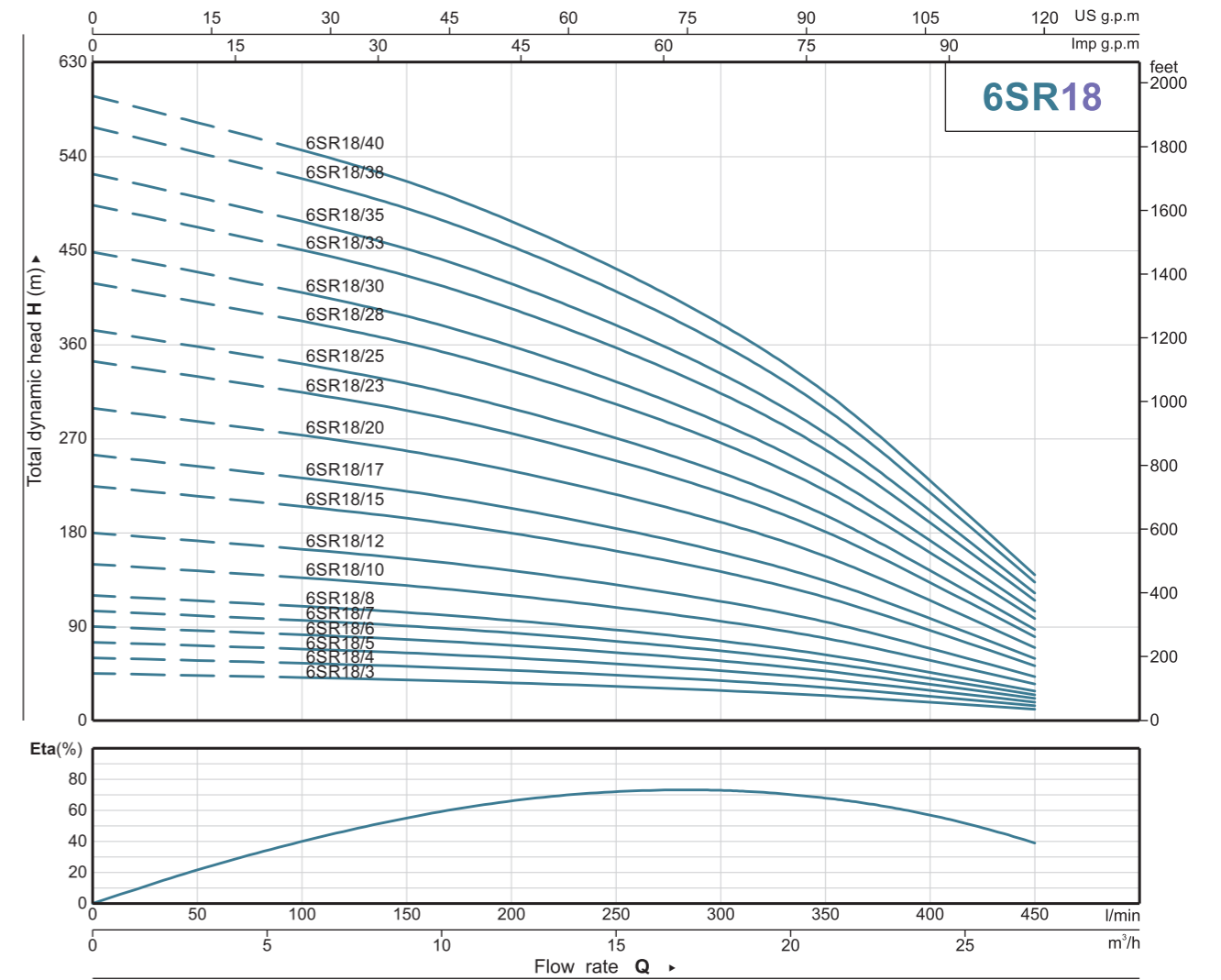
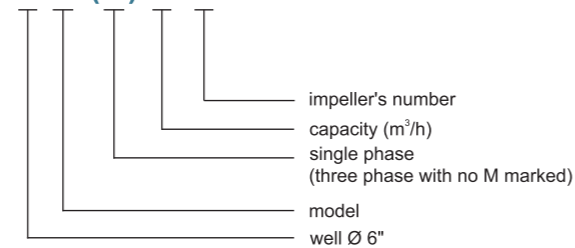
Warranty: 2 years

(according to our general sales conditions)



Components	Material
Pump external casing	AISI 304 SS
Delivery casing	Cast-iron ASTM NO. 30
Suction lantern	Cast-iron ASTM NO. 30
Diffuser	Plastic.PC & AISI 304 SS
Impeller	Plastic.PC
Shaft	AISI 304 SS
Shaft coupling	AISI 304 SS
Wear ring	AISI 304 SS
Motor external casing	AISI 304 SS
Top chock	Cast-iron ASTM NO. 30
Bottom support	Cast-iron ASTM NO. 30
Seal	NBR Graphite-SiC/TC
Shaft	AISI 304 SS-ASTM 5140

6 SR (M) 18/3



PERFORMANCE DATA 50Hz

MODEL		P ₂		DELIVERY														
1~	3~	kW	HP	Q	n≈2850 1/min													
220 - 240V	380 - 415V				m ³ /h	0	3	6	9	12	15	18	21	24	27			
6SRM18/3	6SR18/3	2.2	3	H(m)	0	50	100	150	200	250	300	350	400	450				
6SRM18/4	6SR18/4	3	4		45	43	41	39	36	32	28	24	17	10				
6SRM18/5	6SR18/5	4	5.5		60	57	54	51	48	43	38	31	23	14				
6SRM18/6	6SR18/6	4	5.5		75	71	68	64	60	54	47	39	29	17				
6SRM18/7	6SR18/7	5.5	7.5		90	86	82	77	72	65	57	47	34	21				
6SRM18/8	6SR18/8	5.5	7.5		105	100	95	90	84	76	66	55	40	24				
-	6SR18/10	7.5	10		119	114	109	103	95	86	76	63	46	28				
-	6SR18/12	9.2	12.5		149	143	136	129	119	108	95	78	57	35				
-	6SR18/15	11	15		179	172	164	155	143	130	114	94	69	42				
-	6SR18/17	13	17.5		224	214	205	193	179	162	142	118	86	52				
-	6SR18/20	15	20		254	243	232	219	203	184	161	133	97	59				
-	6SR18/23	18.5	25		299	286	273	258	239	216	190	157	115	70				
-	6SR18/25	18.5	25		343	329	314	296	274	248	218	180	132	80				
-	6SR18/28	22	30		373	357	341	322	298	270	237	193	143	87				
-	6SR18/30	22	30		418	400	382	361	334	302	265	220	160	97				
-	6SR18/33	26	35		448	429	409	384	358	324	284	235	172	104				
-	6SR18/35	26	35	493	472	450	425	394	356	313	259	189	115					
-	6SR18/38	30	40	523	500	477	451	418	378	332	274	200	122					
-	6SR18/40	30	40	567	543	518	490	453	410	360	298	218	132					
				597	572	545	515	477	432	379	314	229	139					

4" SUBMERSIBLE MOTOR

Applications

For water supply from wells or reservoirs
For domestic use, for civil and industrial applications
For garden use and irrigation

Operating conditions

Speed: 2850rpm
Insulation class: F
Protection grade: IP 68
Maximum fluid temperature up to +35°C
Minimum well diameter: 4"

Motor and Pump

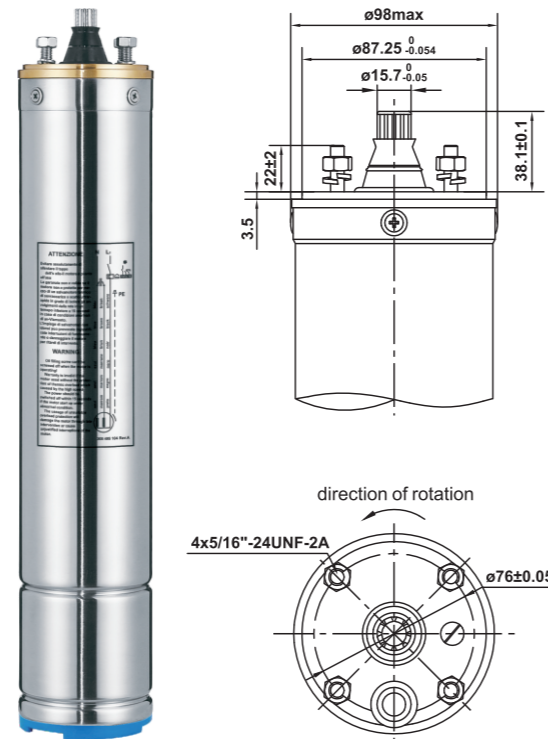
Rewindable motor
Single-phase: 220 - 240V/50Hz
Three-phase: 380 - 415V/50Hz
Equip with start control box or digital auto-control box
NEMA dimension standards

Options on request

Special mechanical seal
Other voltages or frequency 60Hz
Single phase motor with built-in capacitor

Warranty: 2 years

(according to our general sales conditions)



PERFORMANCE DATA 50Hz

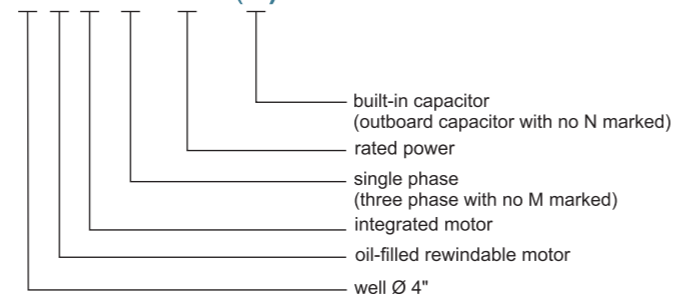
MODEL	P ₂		n≈2850 1/min						
	kW	HP	Voltage (V)	Ph	I _n (A)	COSφ	η (%)	L (mm)	Weight (kg)
4YSM250	0.25	0.33	220-240V	1	2.5	0.93	55	366	6.5
4YSM370	0.37	0.5			3.7	0.93	57	386	7.4
4YSM550	0.55	0.75			4.7	0.93	60	411	8.6
4YSM750	0.75	1			6.2	0.93	63	431	9.6
4YSM920	0.92	1.25			6.6	0.93	64.5	456	10.8
4YSM1100	1.1	1.5			8.0	0.93	66	476	11.7
4YSM1300	1.3	1.75			9.0	0.93	67	506	13.1
4YSM1500	1.5	2			10.5	0.93	68	536	14.5
4YSM1800	1.8	2.5			13.0	0.93	68.5	576	16.4
4YSM2200	2.2	3			15.0	0.93	69	626	18.7
4YSM2600	2.6	3.5			17.8	0.93	69.5	632	19.4
4YSM3000	3	4			19.6	0.93	70	682	21.7

PERFORMANCE DATA 50Hz

MODEL	P ₂		n≈2850 1/min						
	kW	HP	Voltage (V)	Ph	I _n (A)	COSφ	η (%)	L (mm)	Weight (kg)
4YS550	0.55	0.75	380-415V	3	1.8	0.76	61	386	7.4
4YS750	0.75	1			2.5	0.77	64	411	8.6
4YS1100	1.1	1.5			3.2	0.78	67	441	10.1
4YS1500	1.5	2			4.0	0.79	69	476	11.7
4YS2200	2.2	3			6.0	0.80	71	576	16.4
4YS2600	2.6	3.5			7.0	0.79	71	626	18.7
4YS3000	3	4			8.0	0.81	72	642	19.8
4YS4000	4	5.5			10.0	0.82	74	747	24.5
4YS5500	5.5	7.5			12.0	0.83	75	847	29.2
4YS7500	7.5	10			15.0	0.84	76	947	34.6

Components	Material
Motor external casing	AISI 304 SS
Top chock	①Cast-Cu ASTM C85500
	②Cast-iron ASTM NO. 30
	③AISI 304 SS
Bottom support	AISI 304 SS
Mechanical seal	Special seal for deep well(Graphite-Ceramic)
Shaft	AISI 304 SS-ASTM 5140
Seal lubricant oil	Oil for food machinery and pharmaceutic use.

4 Y S M 250 (N)



5" SUBMERSIBLE MOTOR

Applications

For water supply from wells or reservoirs
For domestic use, for civil and industrial applications
For garden use and irrigation

Operating conditions

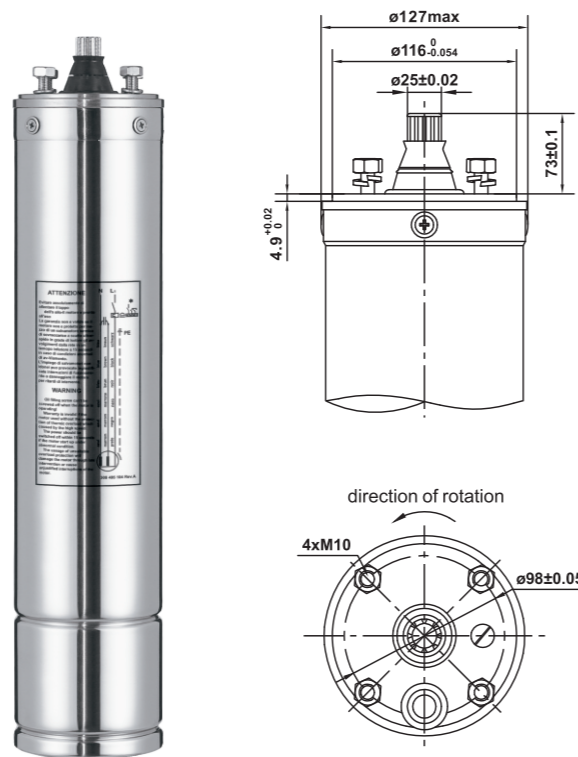
Speed: 2850rpm
Insulation class: F
Protection grade: IP 68
Maximum fluid temperature up to +35°C
Minimum well diameter: 5"

Motor and Pump

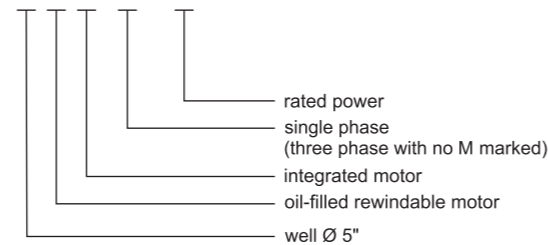
Rewindable motor
Single-phase: 220 - 240V/50Hz
Three-phase: 380 - 415V/50Hz
Equip with start control box or digital auto-control box

Options on request

Special mechanical seal
Other voltages or frequency 60Hz



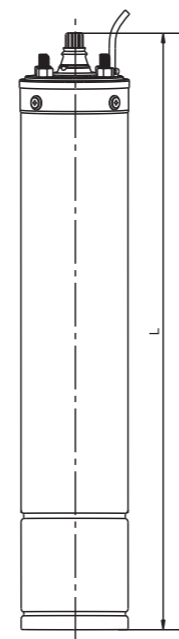
5 Y S M 1500



Components	Material
Motor external casing	AISI 304 SS
Top chock	①Cast-iron ASTM NO. 30
	②Cast-Cu ASTM C85500
Bottom support	AISI 304 SS
Mechanical seal	Special seal for deep well(Graphite-Ceramic)
Shaft	AISI 304 SS-ASTM 5140
Seal lubricant oil	Oil for food machinery and pharmaceutic use.

PERFORMANCE DATA 50Hz

MODEL	P ₂		n≈2850 1/min						
	kW	HP	Voltage (V)	Ph	In (A)	COSφ	η (%)	L (mm)	Weight (kg)
5YSM1500	1.5	2	220-240V	1	11.5	0.93	68	515	19.4
5YSM2200	2.2	3			16.4	0.93	69	555	22.6
5YSM3000	3	4			21.9	0.93	70	605	26.7
5YS1500	1.5	2	380-415V	3	4.7	0.77	70	490	16.4
5YS2200	2.2	3			6.1	0.78	72	515	19.4
5YS3000	3	4			8.3	0.79	73	555	22.6
5YS4000	4	5.5			10.5	0.79	74	605	26.7
5YS5500	5.5	7.5			13.2	0.80	75	680	33.4
5YS7500	7.5	10			17.7	0.80	76	780	41.8
5YS9200	9.2	12.5			20.5	0.81	77	855	47.8
5YS11000	11	15			24.9	0.82	78	930	54.1



6" SUBMERSIBLE MOTOR

Applications

For water supply from wells or reservoirs
For domestic use, for civil and industrial applications
For garden use and irrigation

Operating conditions

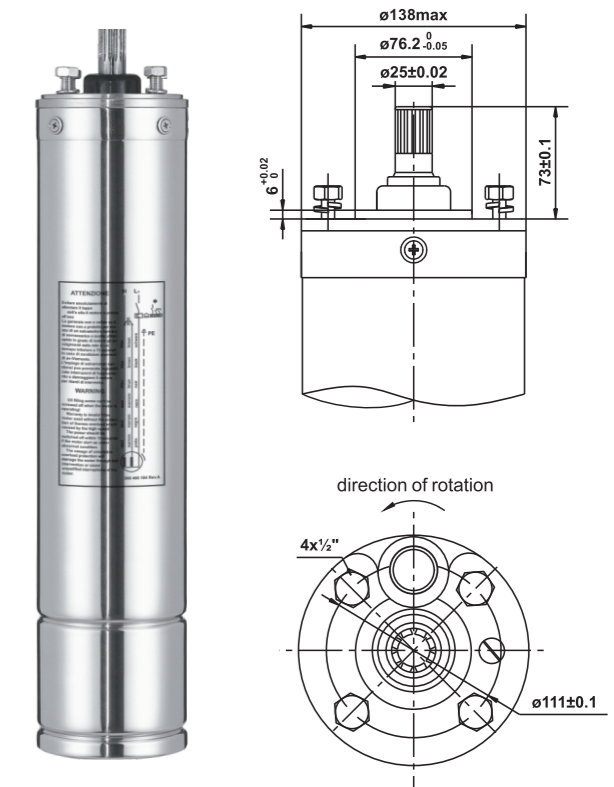
Speed: 2850rpm
Insulation class: F
Protection grade: IP 68
Maximum fluid temperature up to +35°C
Minimum well diameter: 6"

Motor and Pump

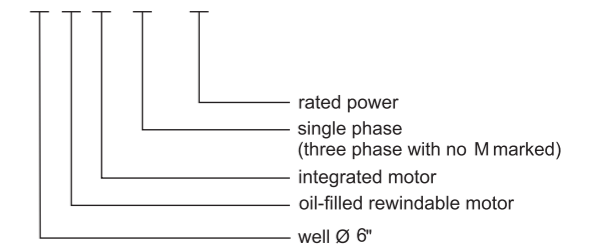
Rewindable motor
Single-phase: 220 - 240V/50Hz
Three-phase: 380 - 415V/50Hz
Equip with start control box or digital auto-control box
NEMA dimension standards

Options on request

Special mechanical seal
Other voltages or frequency 60Hz



6 Y S M 3000



Components	Material
Motor external casing	AISI 304 SS
Top chock	①Cast-iron ASTM NO. 30
	②Cast-Cu ASTM C85500
Bottom support	AISI 304 SS
Mechanical seal	Special seal for deep well(Graphite-Ceramic)
Shaft	AISI 304 SS-ASTM 5140
Seal lubricant oil	Oil for food machinery and pharmaceutic use.

PERFORMANCE DATA 50Hz

MODEL	P ₂		n≈2850 1/min						
	kW	HP	Voltage (V)	Ph	In (A)	COSφ	η (%)	L (mm)	Weight (kg)
6YSM3000	3	4	220-240V	1	22.5	0.93	70	592	27.2
6YSM4000	4	5.5			29.5	0.93	71	652	33.2
6YSM5500	5.5	7.5			37.5	0.93	72	727	40.5
6YS3000	3	4	380-415V	3	7.8	0.80	74	557	24.1
6YS4000	4	5.5			10.0	0.80	75	592	27.9
6YS5500	5.5	7.5			13.7	0.80	76	652	33.6
6YS7500	7.5	10			17.3	0.81	76	727	40.7
6YS9200	9.2	12.5			21.3	0.81	77	809	48.2
6YS11000	11	15			25.1	0.82	78	879	55.0
6YS15000	15	20			31.6	0.83	79	1009	69.0

